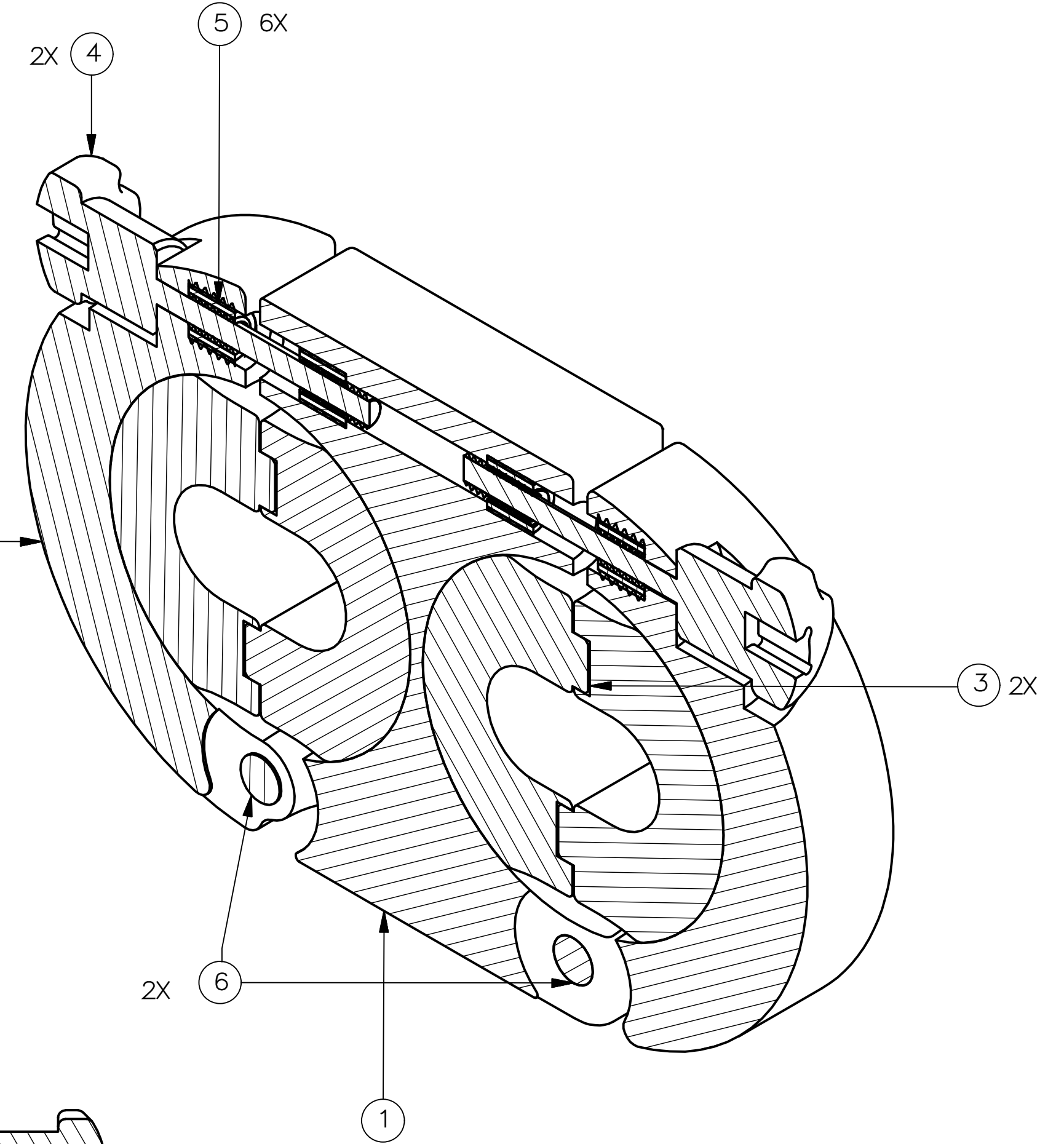


SECTION R-R
SCALE 1.125



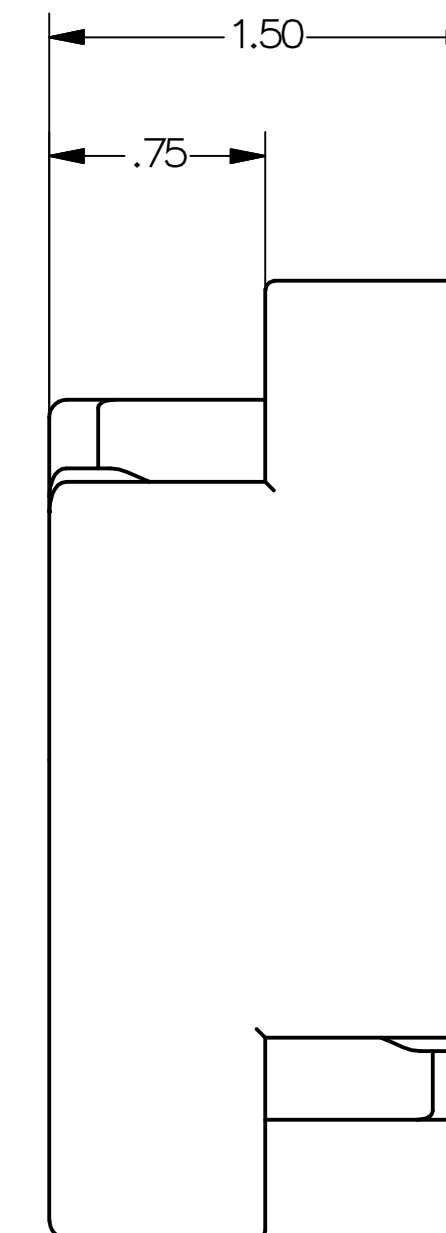
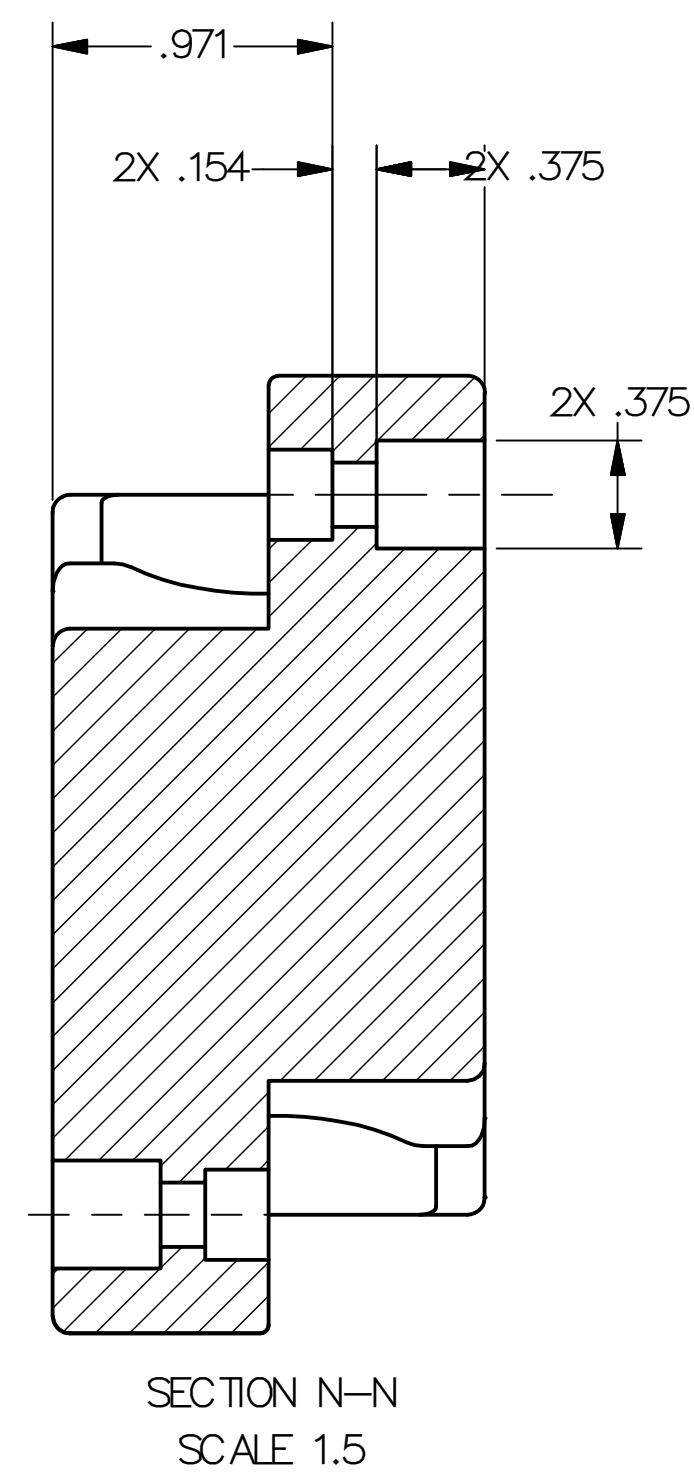
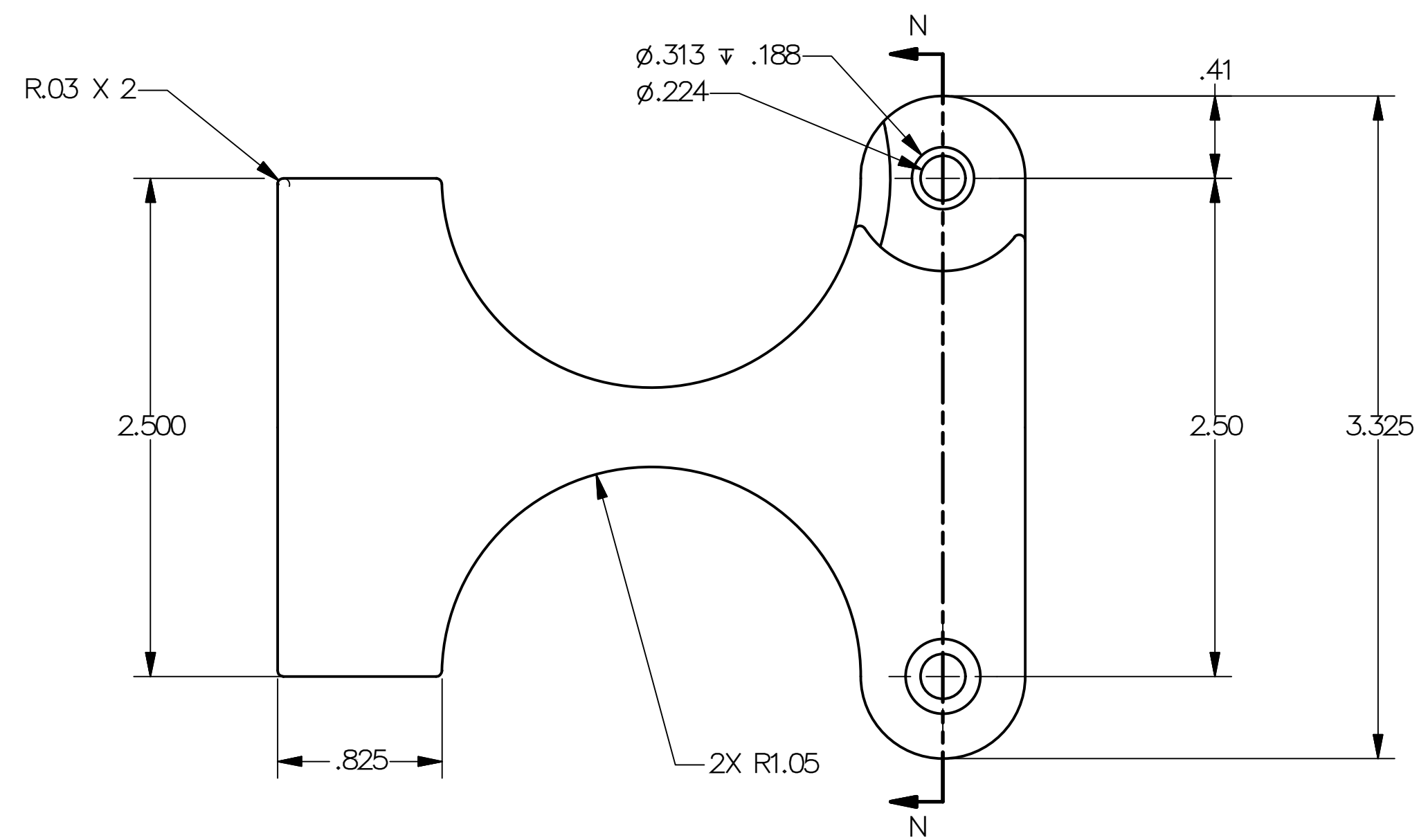
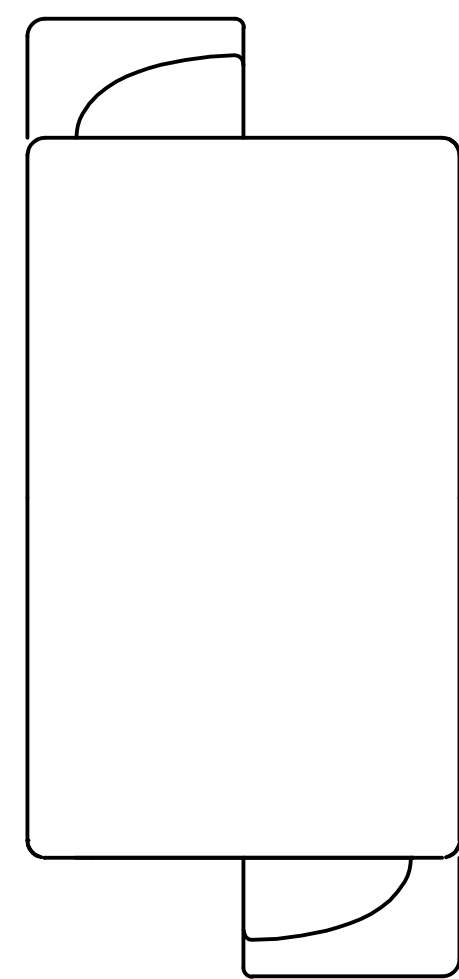
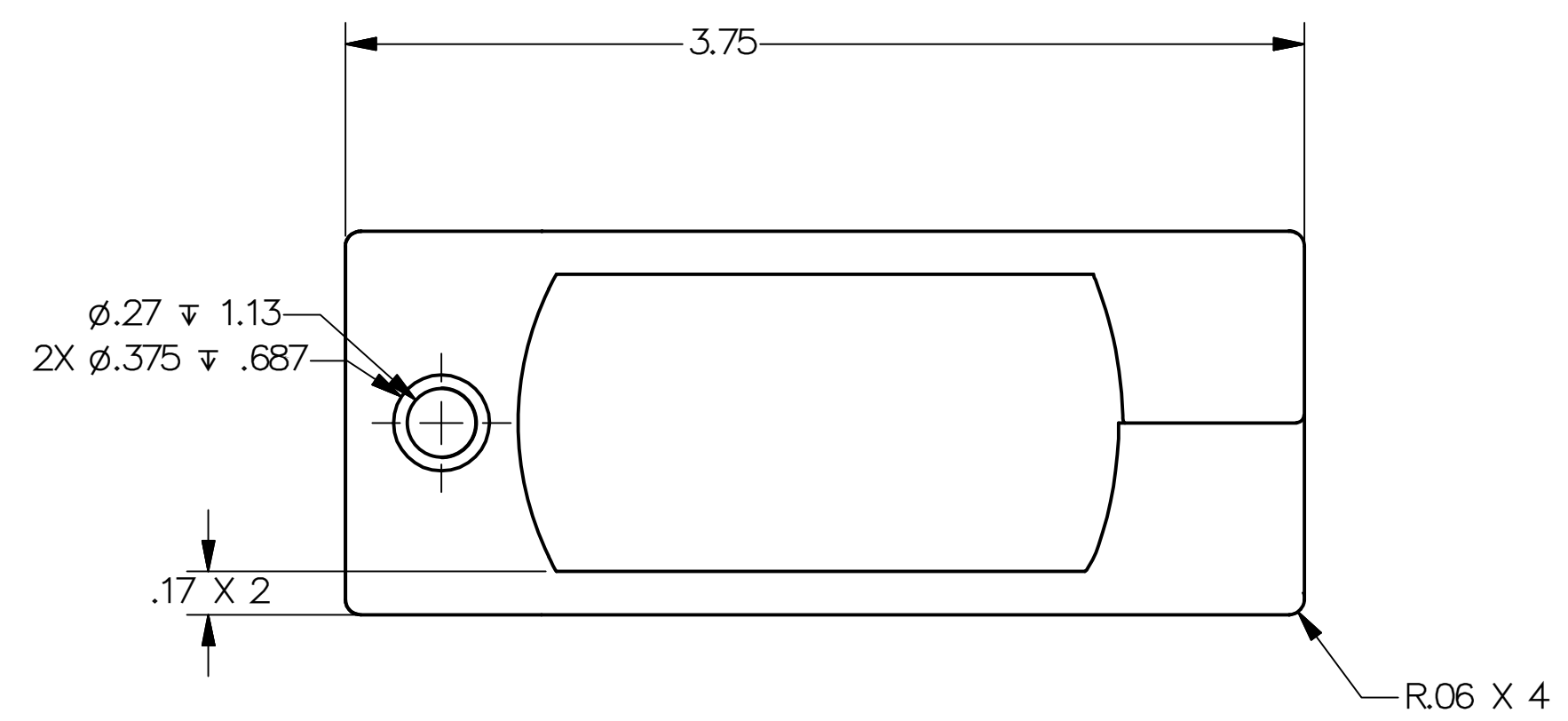
-301

- 5. SERIAL NUMBER SHALL BE ASSIGNED BY NASA / JSC EDCC PER JPR 8500.4.
- 4. BAG AND TAG TO IDENTIFY PART NUMBER AND SERIAL NUMBER PER NASA / JSC PRC-9002.
- 3. CLEAN ALL EXTERNAL SURFACES TO LEVEL GC PER NASA / JSC PRC-5001.
- 2. FABRICATION TOLERANCES AND PRACTICES PER NASA / JSC SKZ36103755
- 1. INTERPRET DRAWING PER NASA / JSC JPR 8500.4.

NOTES: UNLESS OTHERWISE SPECIFIED

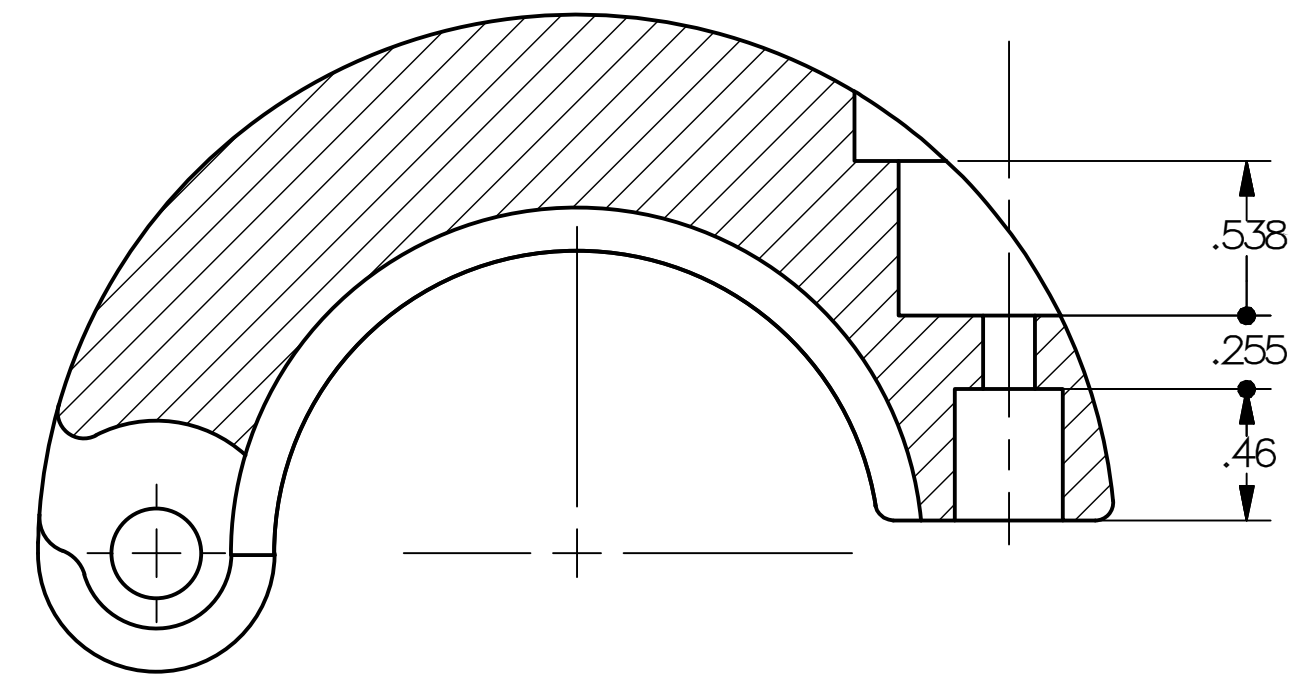
QTY	CAGE CODE	PART NUMBER	DESCRIPTION	MATERIAL	SPECIFICATION	FRAC CRT	TRAC CODE	SEC DES	ITEM	FLAG NOTES
2	...	1046-010-0054	SHOULDER BOLT	304 STAINLESS STEEL		N	TE		6	
6	...	KLI-71302	LOCKING THREADED INSERT	303 STAINLESS STEEL		N	TE		5	
4	21356	-004	THUMB SCREW	STAINLESS STEEL, 15-5		N	TE		4	
1	21356	-003	CLAMP SEMI-SPHERE	ULTEM		N	TE		3	
1	21356	-002	CLAMP ARM	ULTEM		N	TE		2	
1	21356	-001	CLAMP BODY	ULTEM		N	TE		1	
X	21356	-301	DOUBLE BALL CLAMP GALLEY TABLE			N	TS		X	

UNLESS NOTED OTHERWISE: DIM ARE IN INCHES, TOL ARE: .00 ± .01 .00 ± .005 .00 ± .02 ANGULAR ±.05		SIGNATURES		DATE	NATIONAL AERONAUTICS AND SPACE ADMINISTRATION					
SURFACE FINISH IN MICROINCHES R.M.S. UNLESS NOTED OTHERWISE		DR T. LOR		8/3/16	LYNDON B. JOHNSON SPACE CENTER HOUSTON, TEXAS					
NEXT ASSY		ENG G. JOHNSON		8/3/16	<p style="text-align: center;">DOUBLE BALL CLAMP</p> <p>PROJECT HUNCH BALL CLAMP</p>					
DWG FILENAME		APP								
Double Ball Clamp Mk1.dwg		QE								
DRAWING TYPE		MATH								
FLIGHT EXPERIMENT (CLASS 1-E)		STRESS			SIZE	CAGE CODE	DWG NO	REV		
		AUTH			D	21356	SEG33124145			
					SCALE	ORG	FMT	REV	SHEET 1 OF 5	
					2.5	OZ	PO2MAY04			

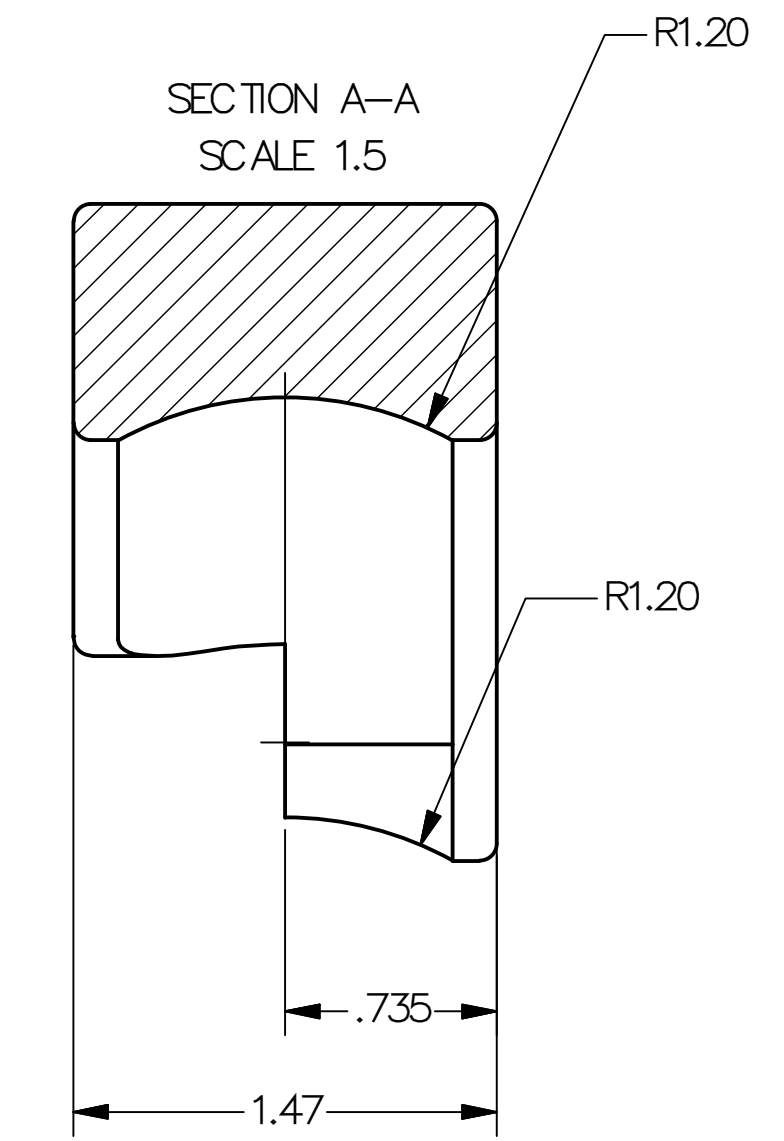
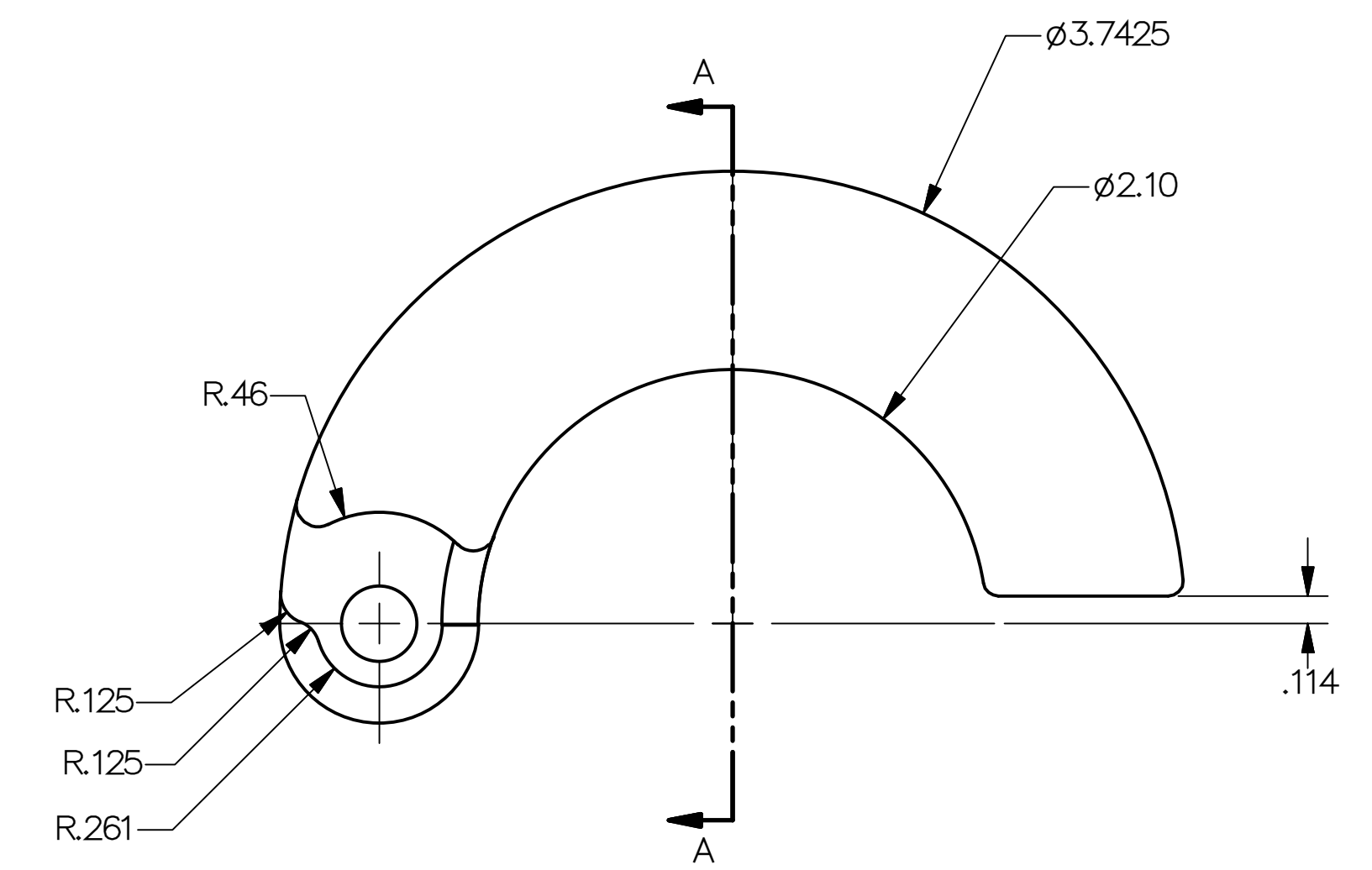
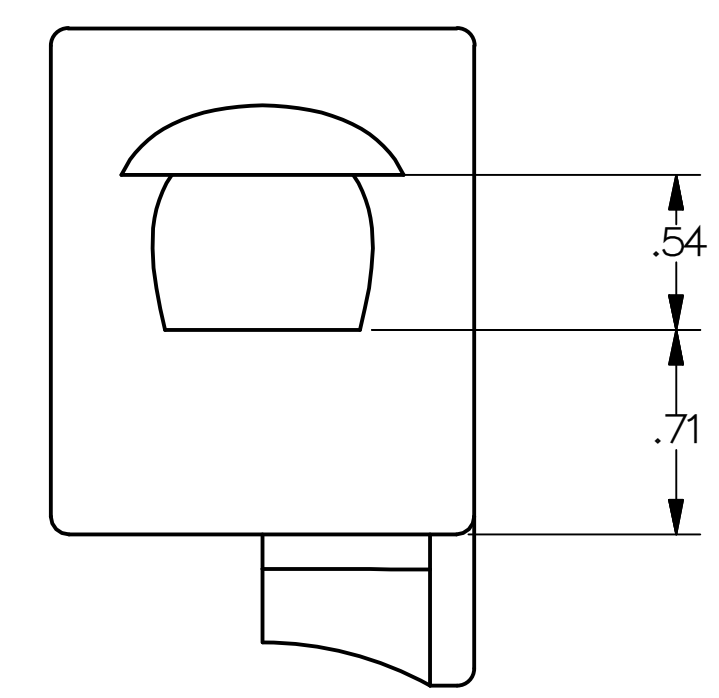
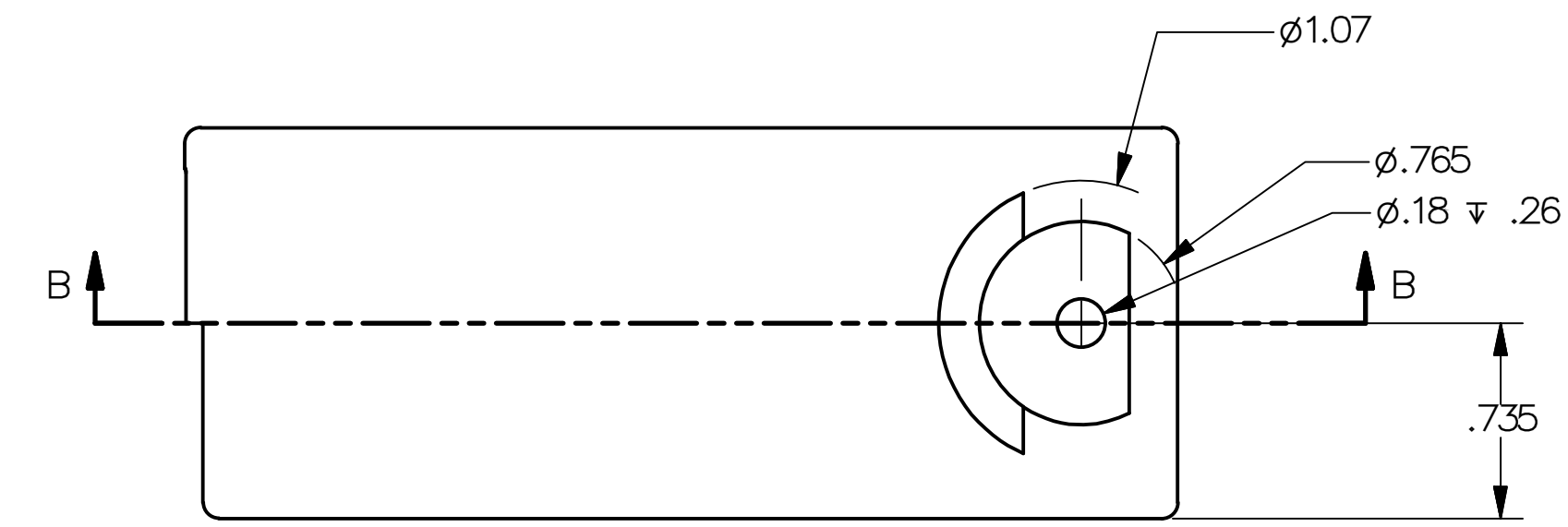


-001

SIZE D	CAGE CODE 21356	DWG NO SEG33124145	REV
SCALE 1.0	ORG OZ	FMT P02MAY04	SHEET 2 OF 5



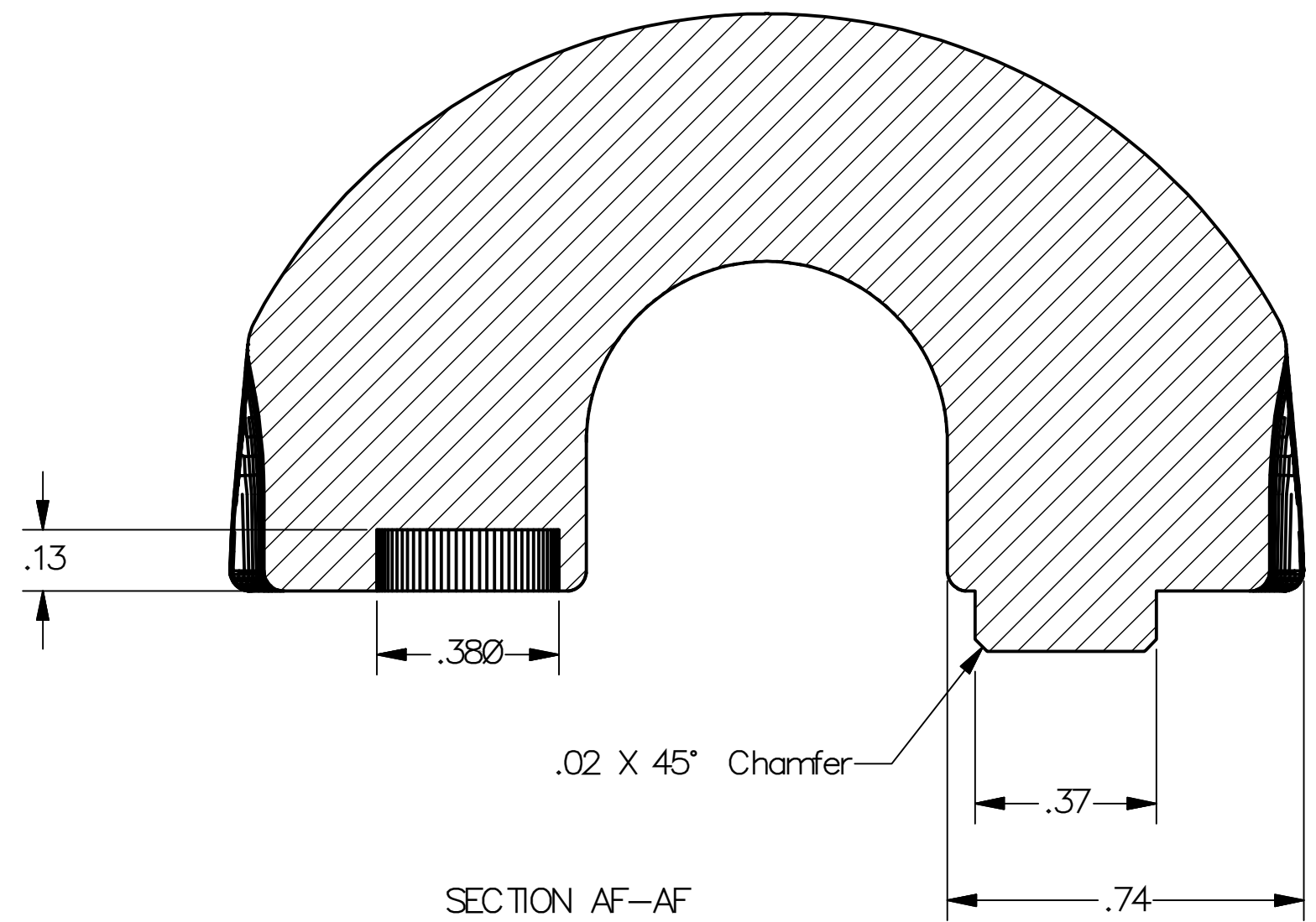
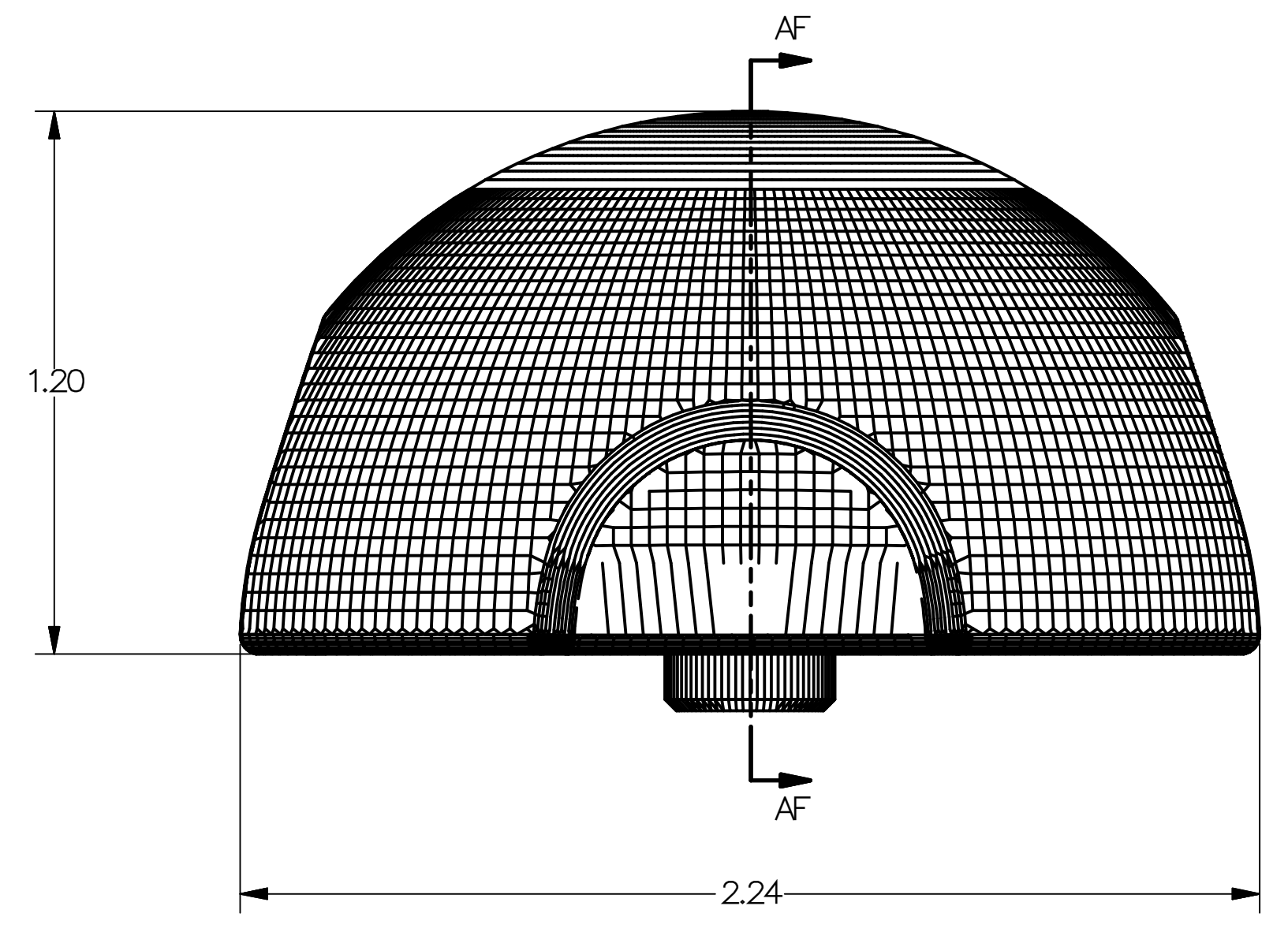
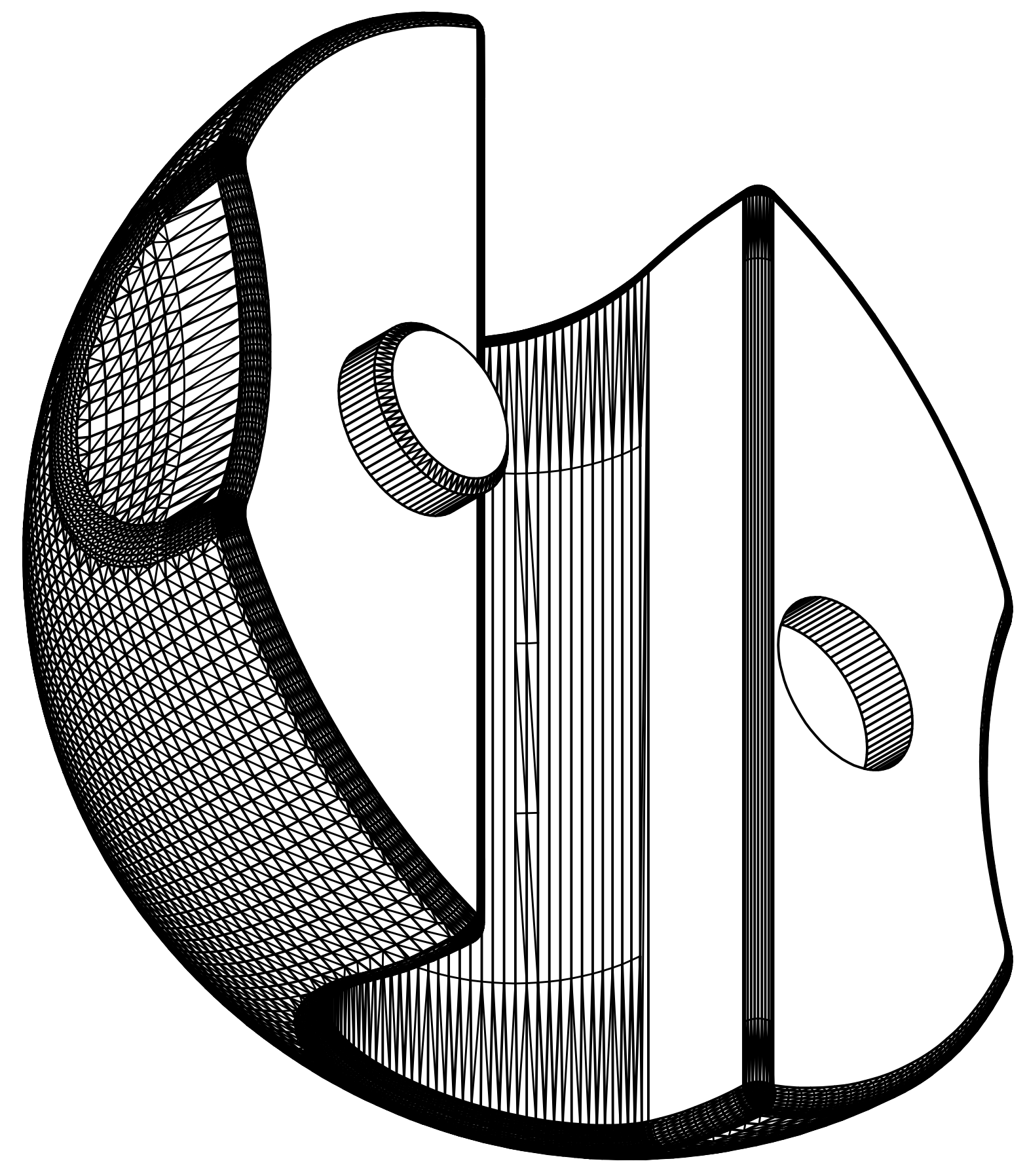
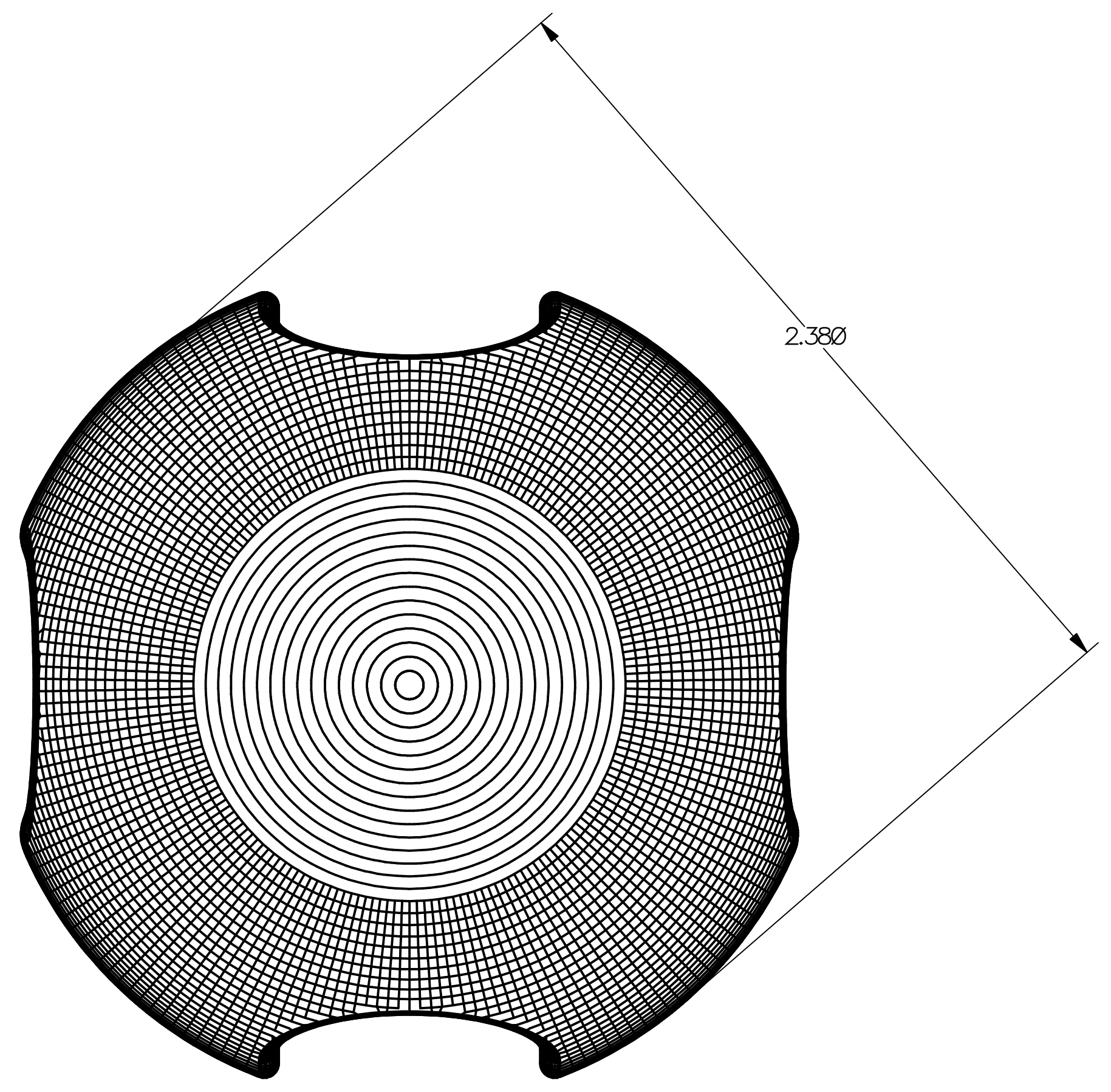
SECTION B-B
SCALE 1.5



All Fillets are R.09 unless specified otherwise

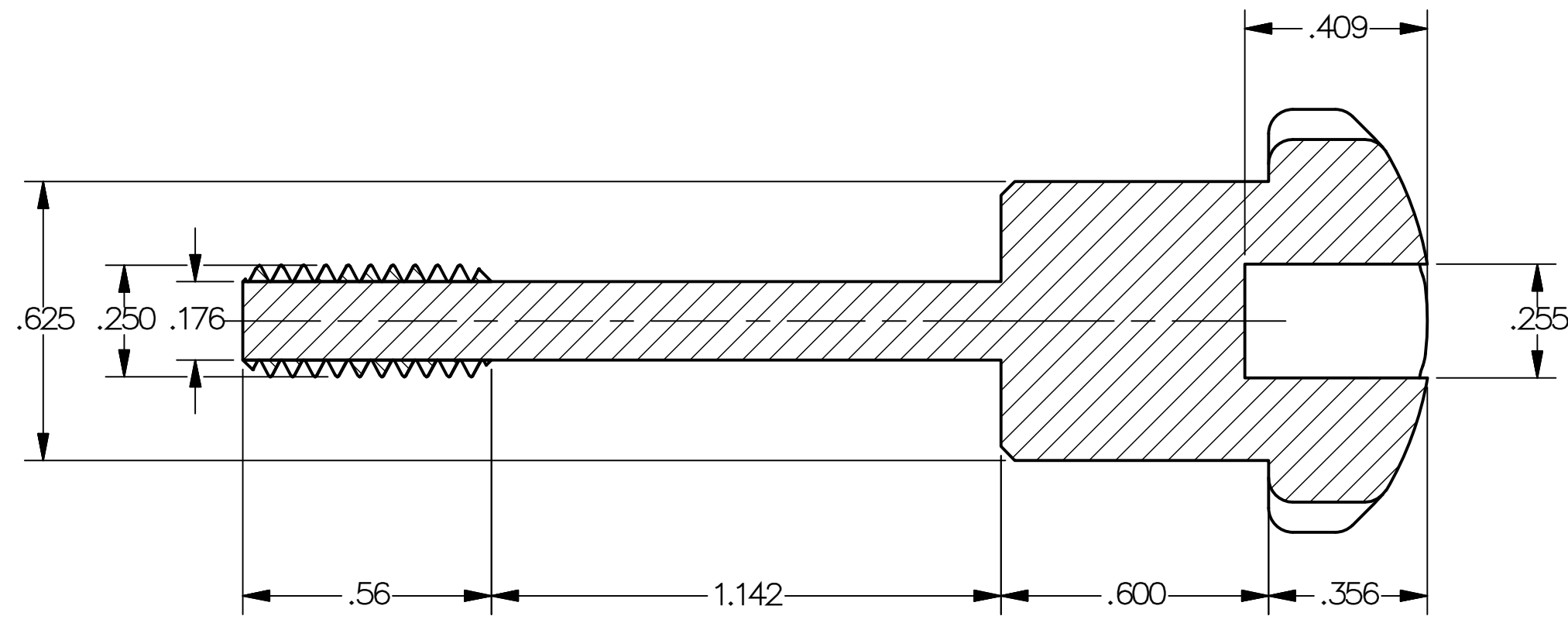
-002

SIZE D	CAGE CODE 21356	DWG NO SEG33124145	REV
SCALE 1.0	ORG OZ	FMT P02MAY04	SHEET 3 OF 5

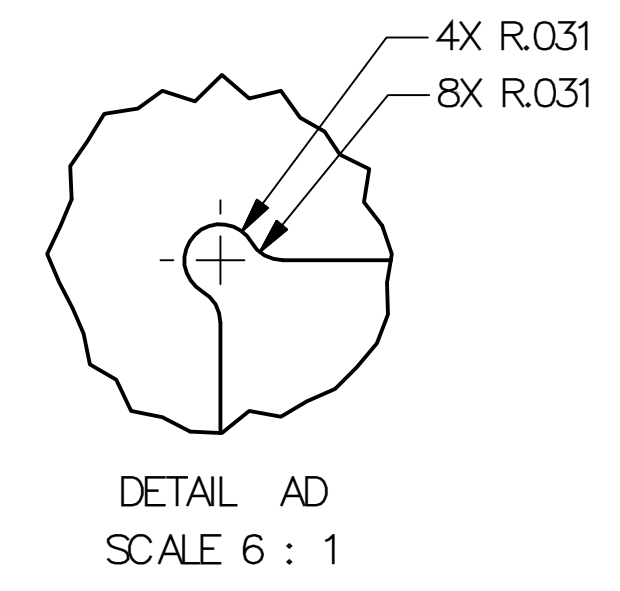
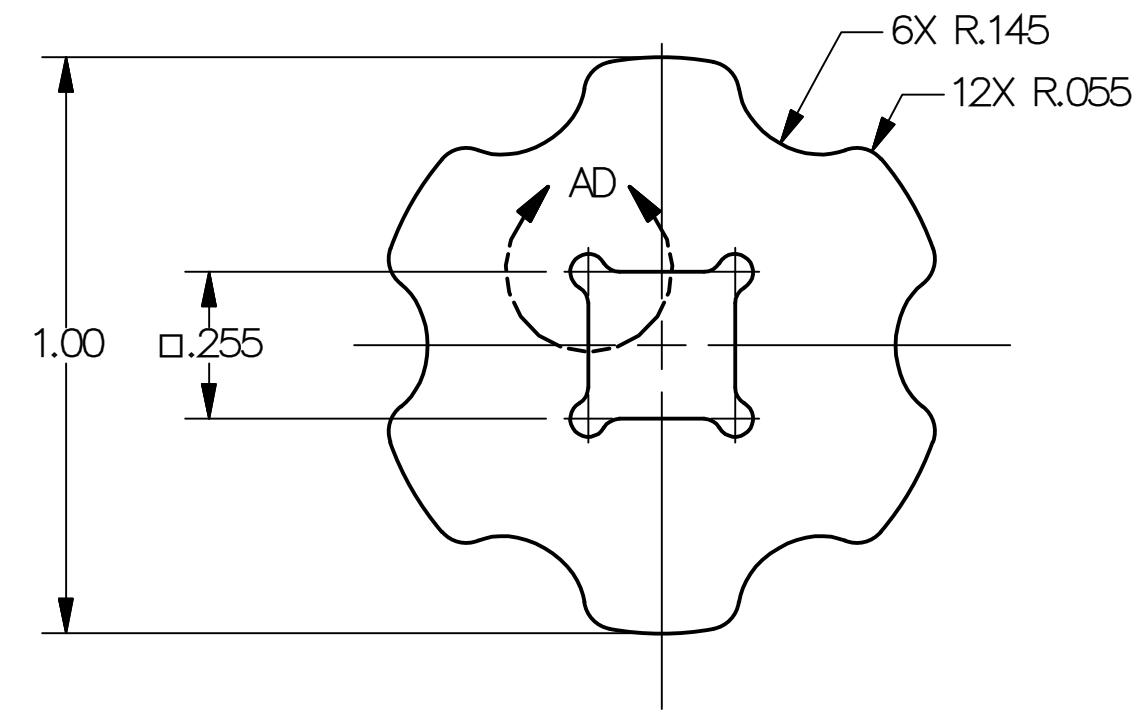
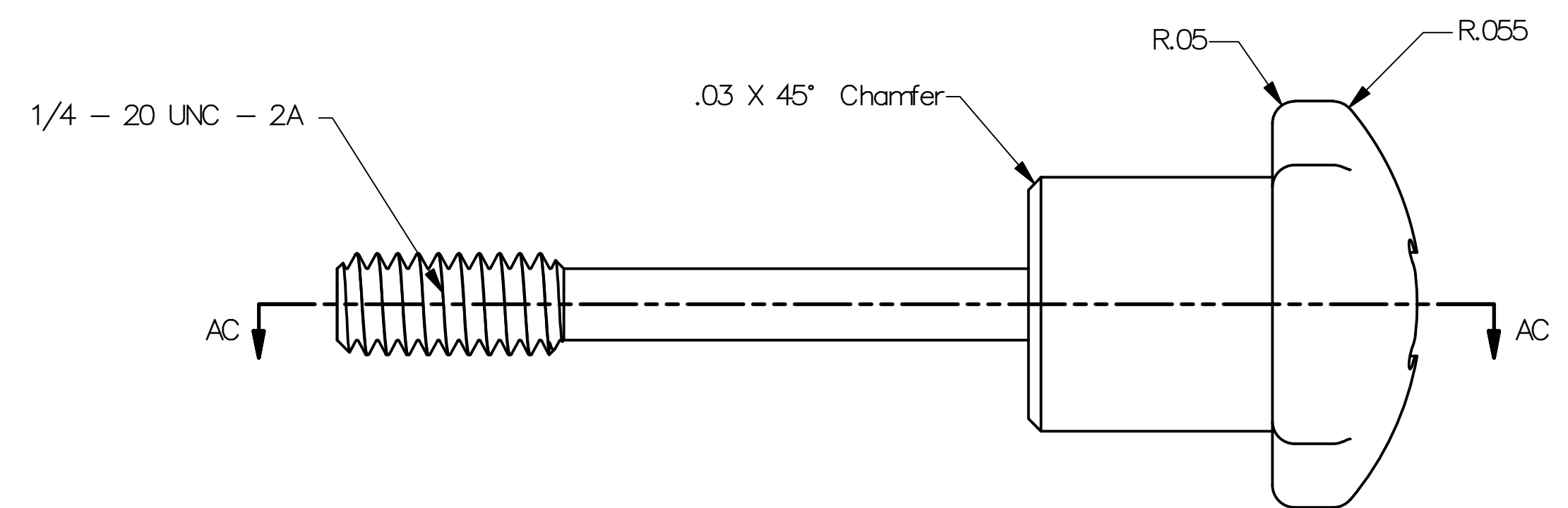
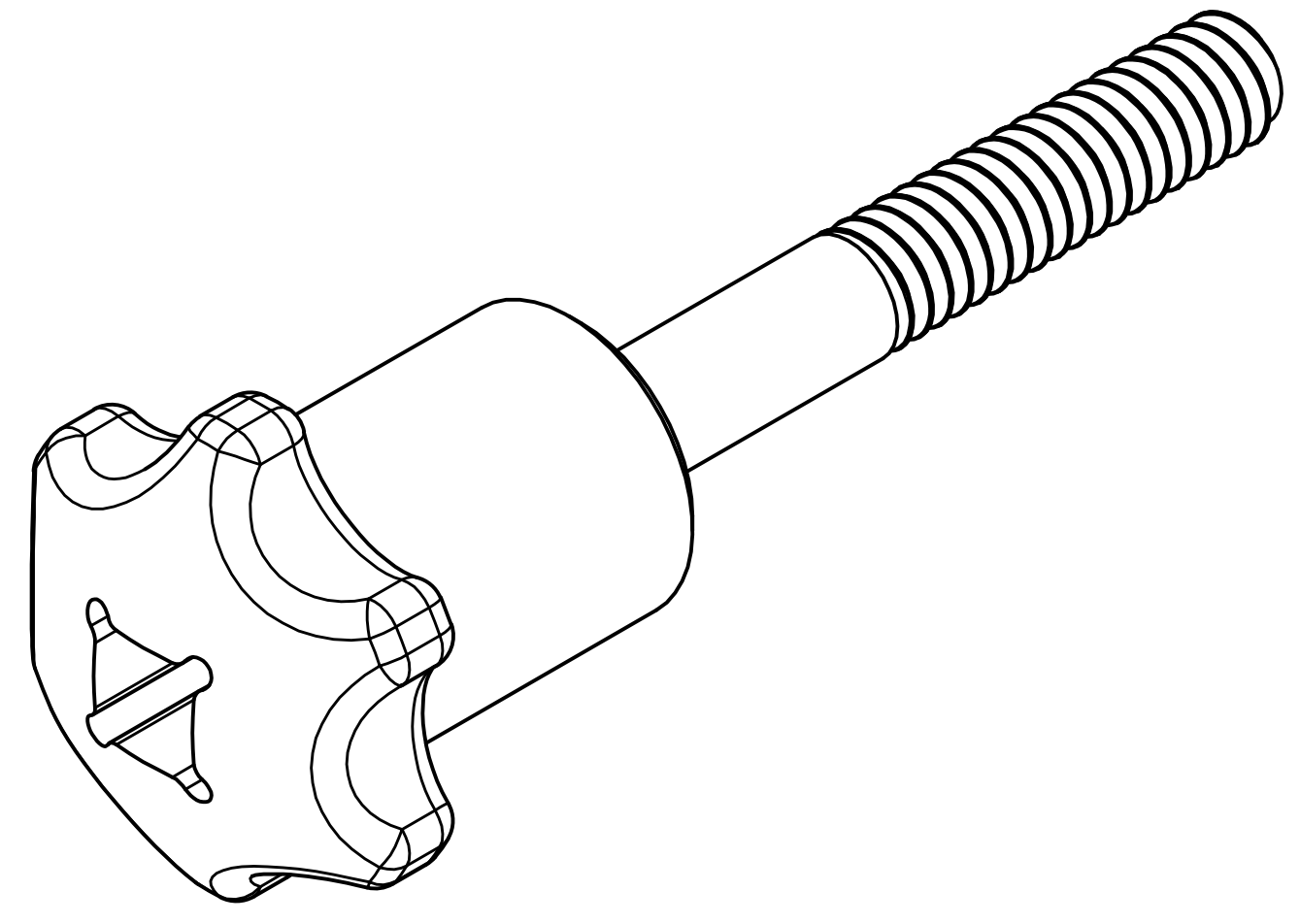


-003

SIZE D	CAGE CODE 21356	DWG NO SEG33124145	REV
SCALE 1.5	ORG OZ	FMT P02MAY04	SHEET 4 OF 5



SECTION AC-AC
SCALE 3 : 1



DETAIL AD
SCALE 6 : 1

-004

SIZE D	CAGE CODE 21356	DWG NO SEG33124145	REV
SCALE 1.0	ORG OZ	FMT P02MAY04	SHEET 5 OF 5