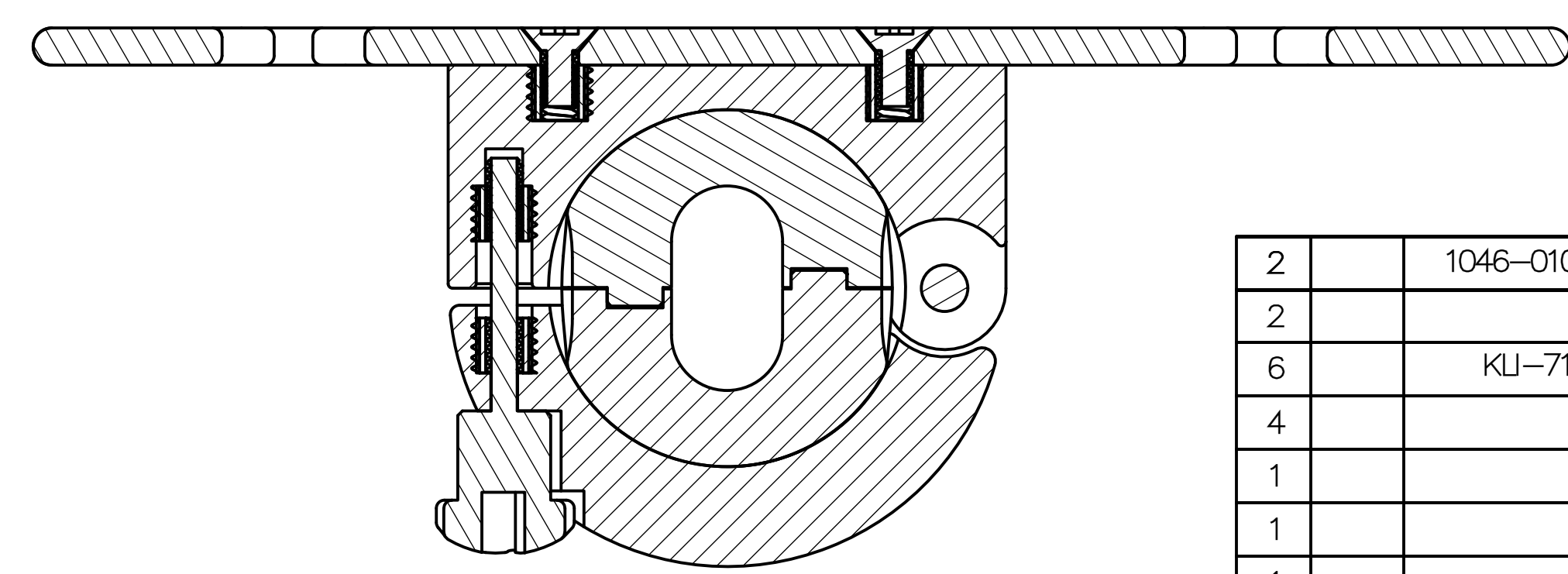
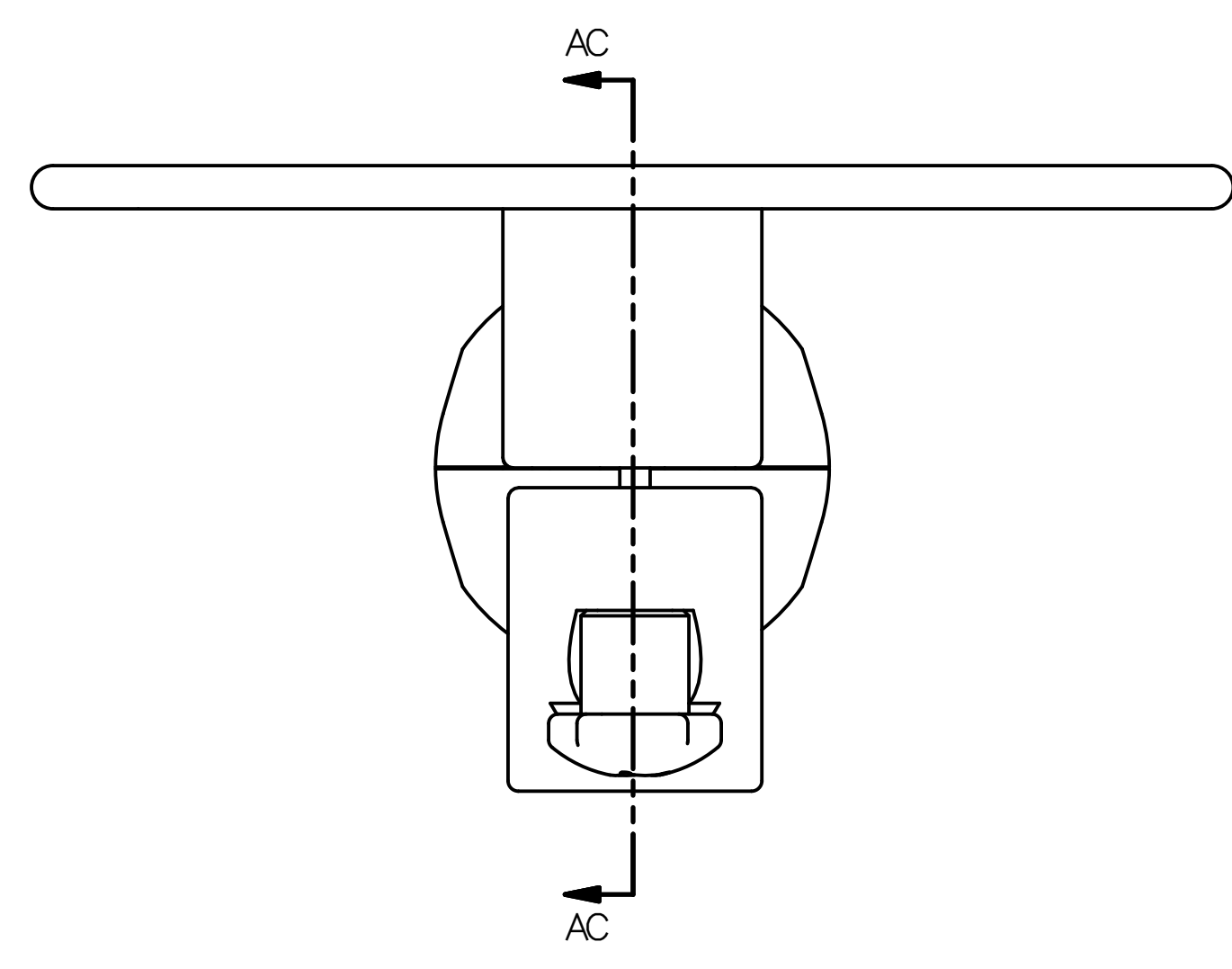
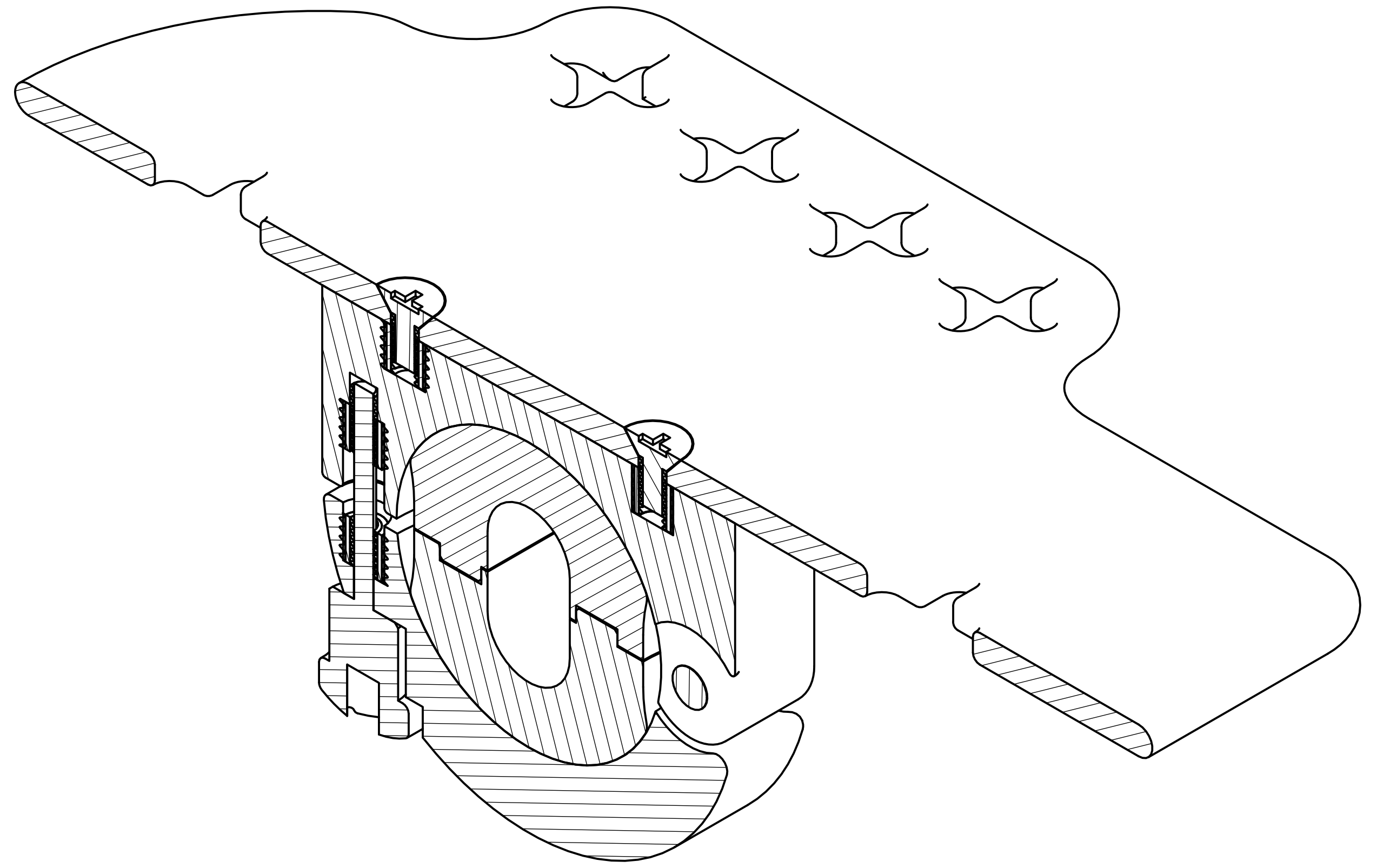
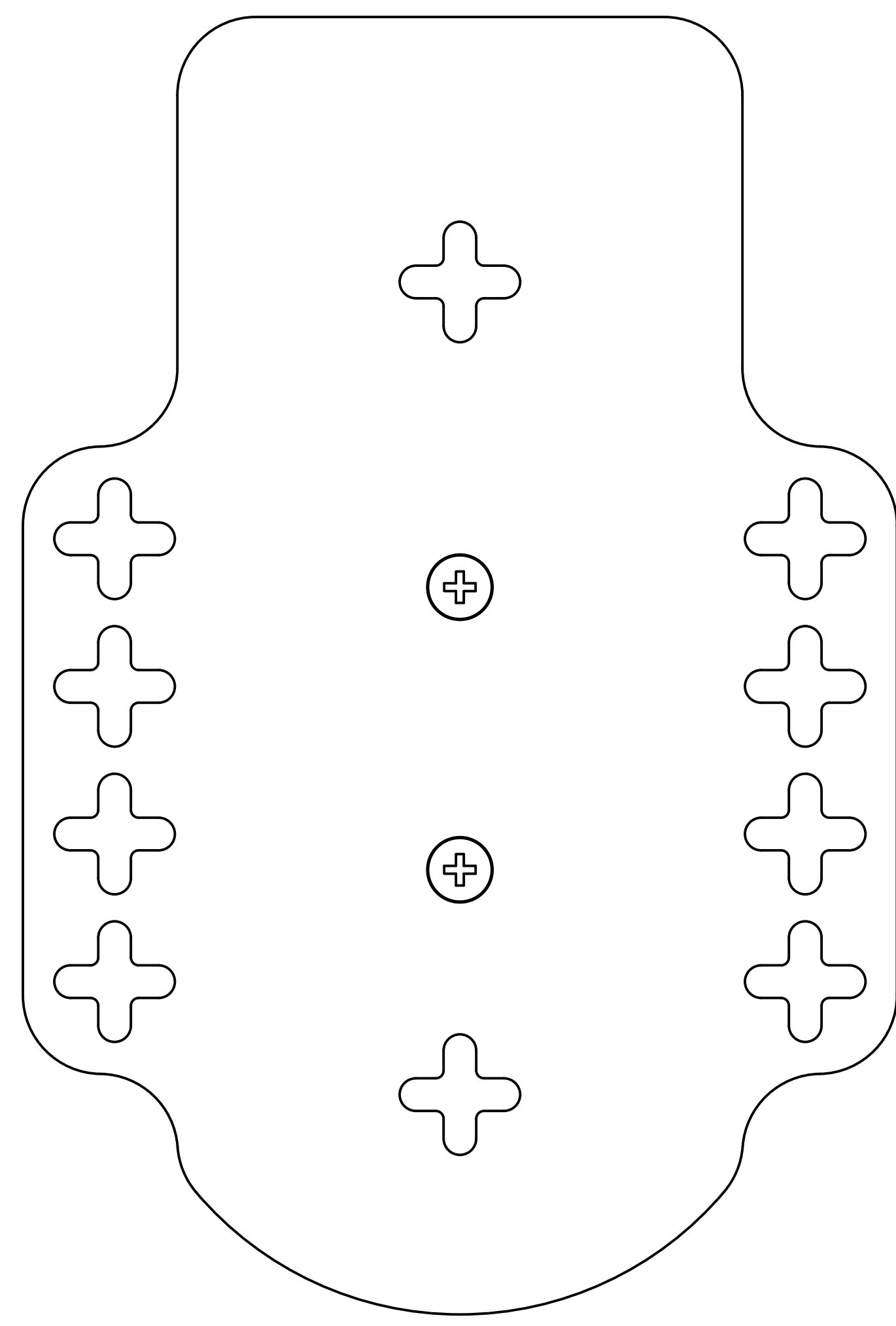


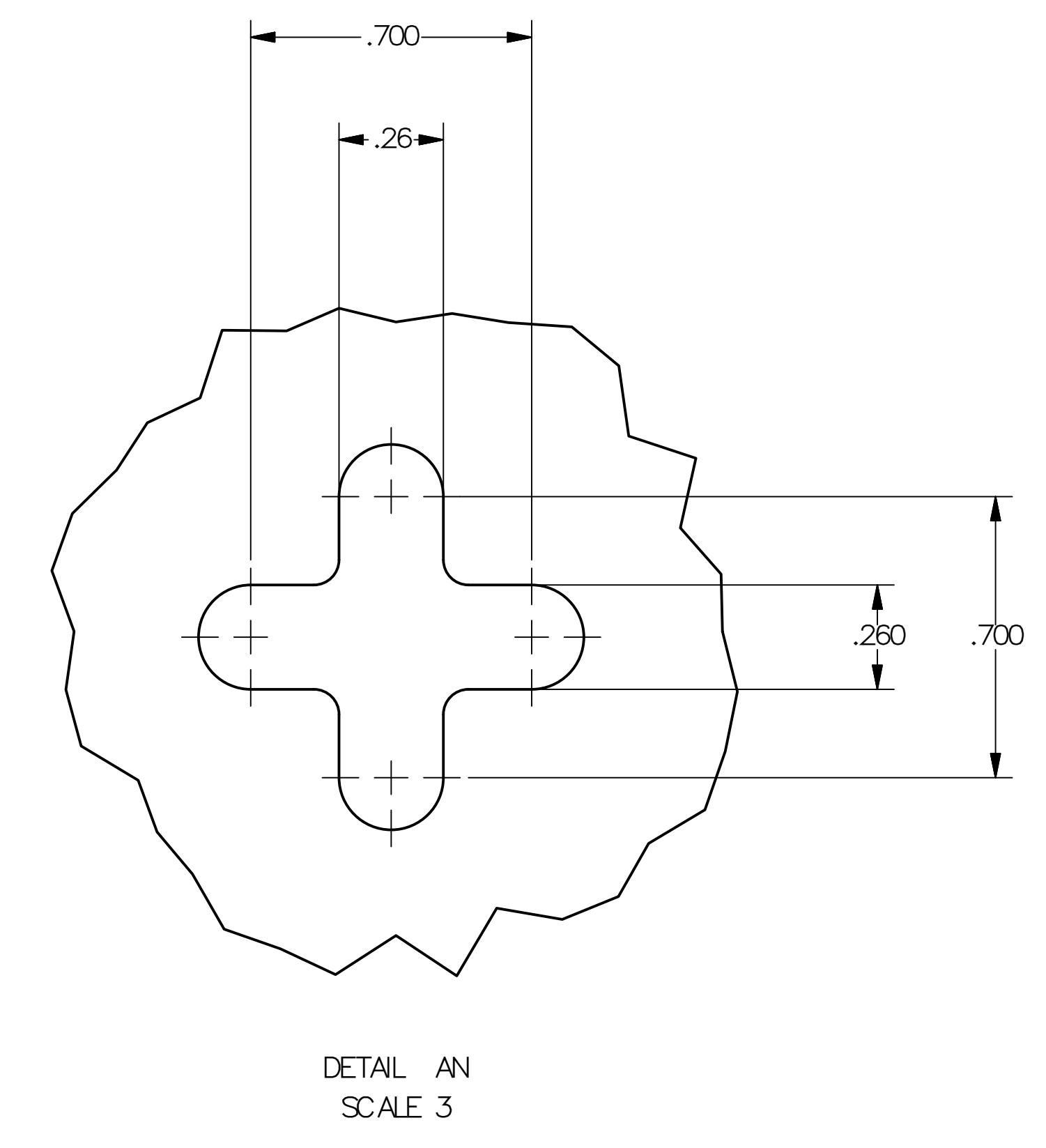
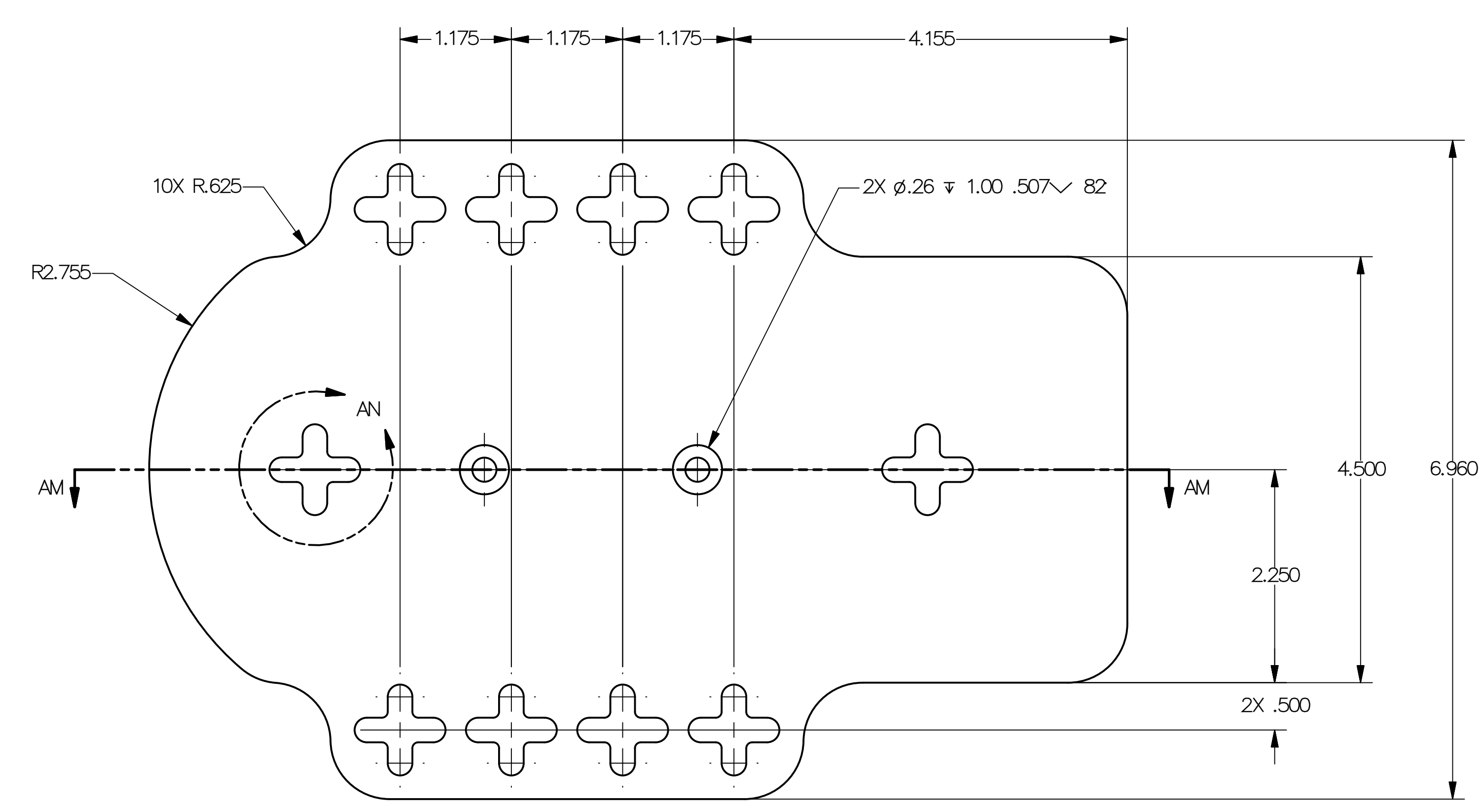
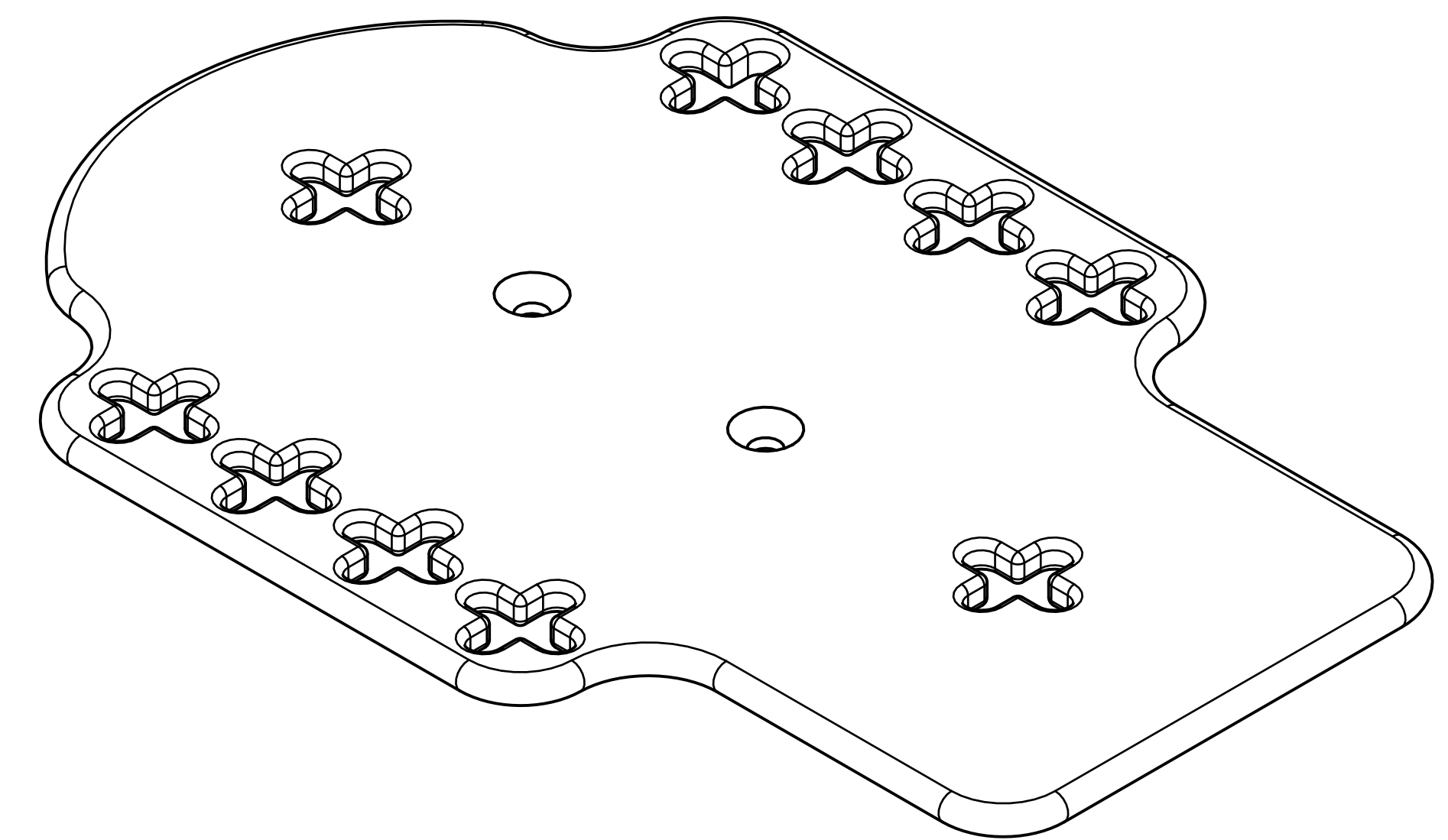
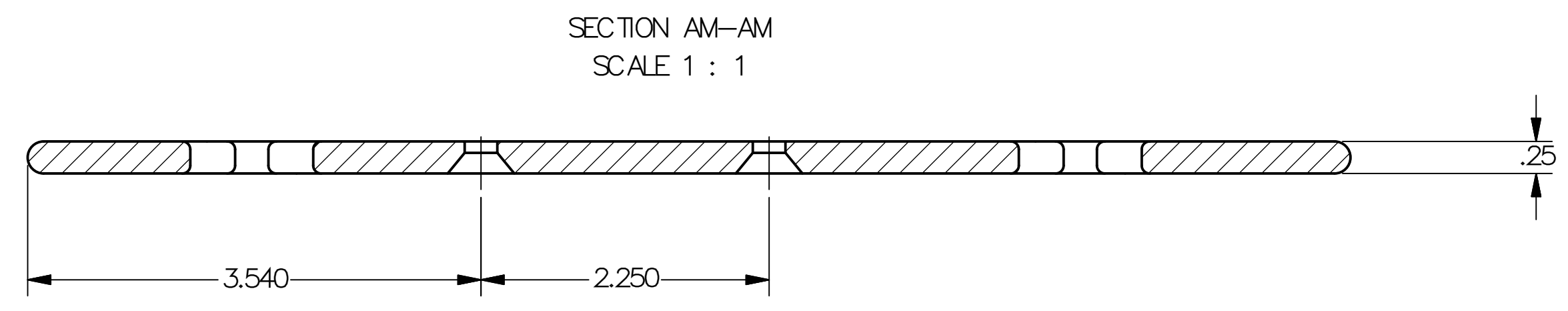
REV	ZONE	DESCRIPTION OF CHANGE
1		



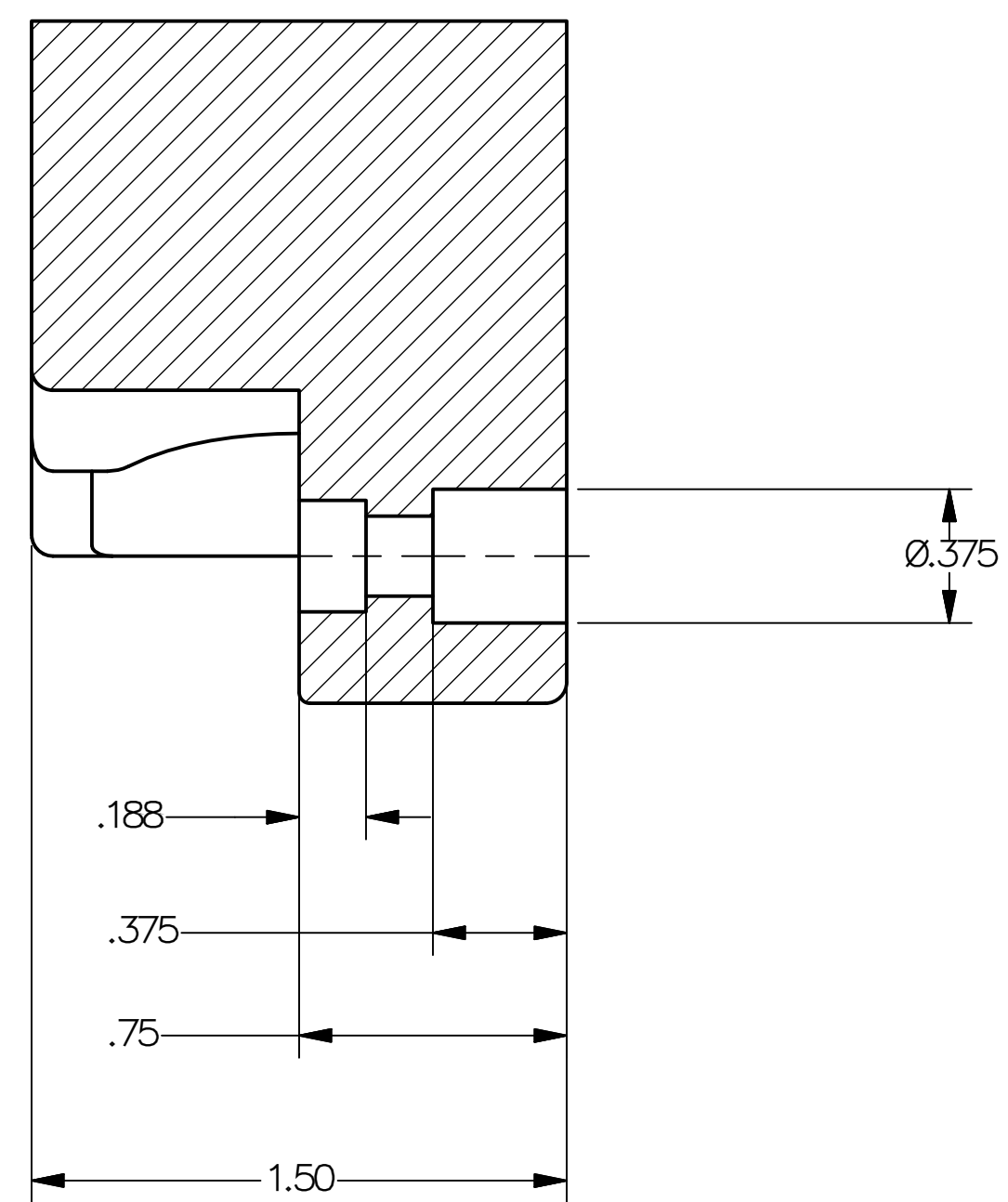
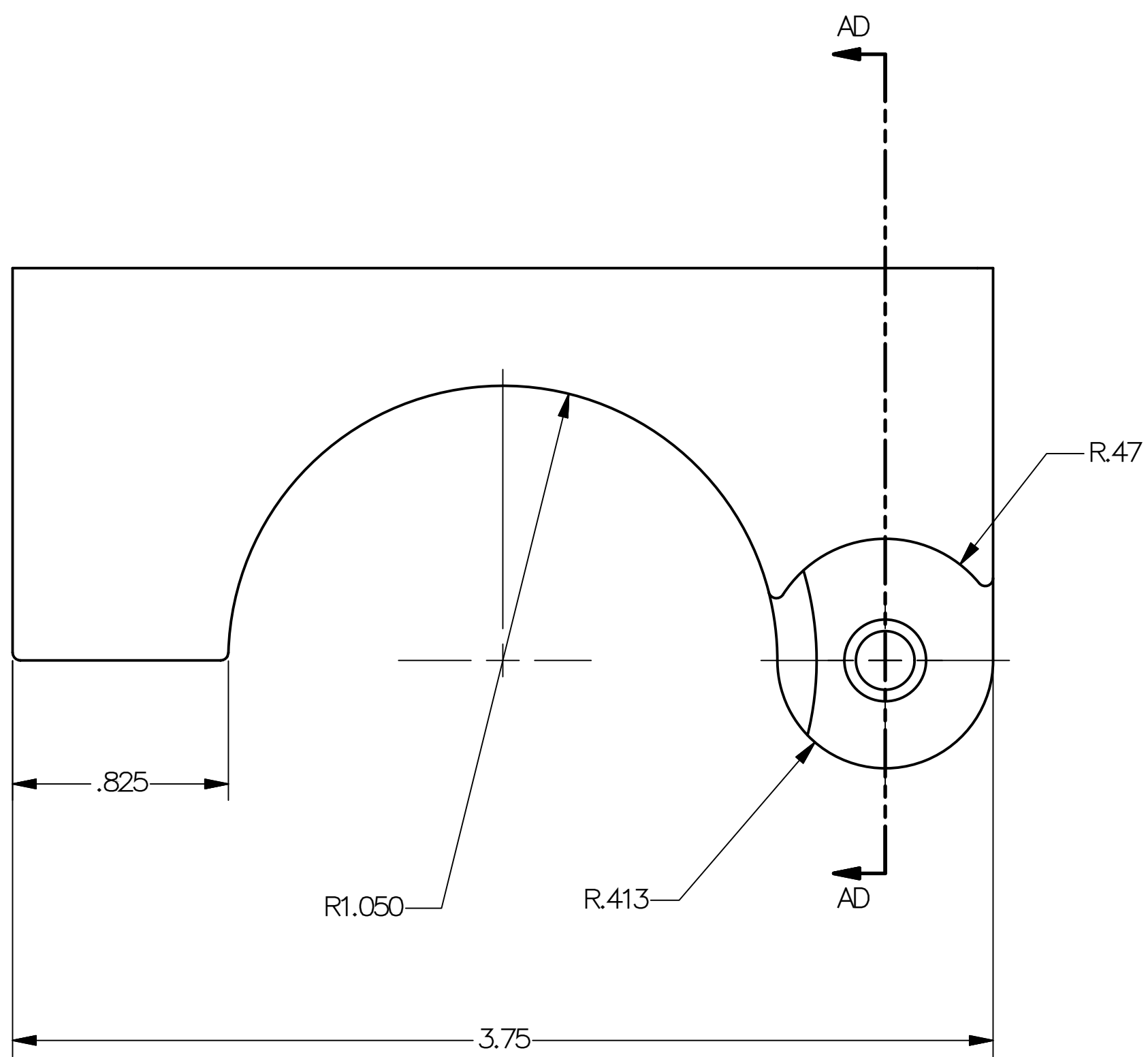
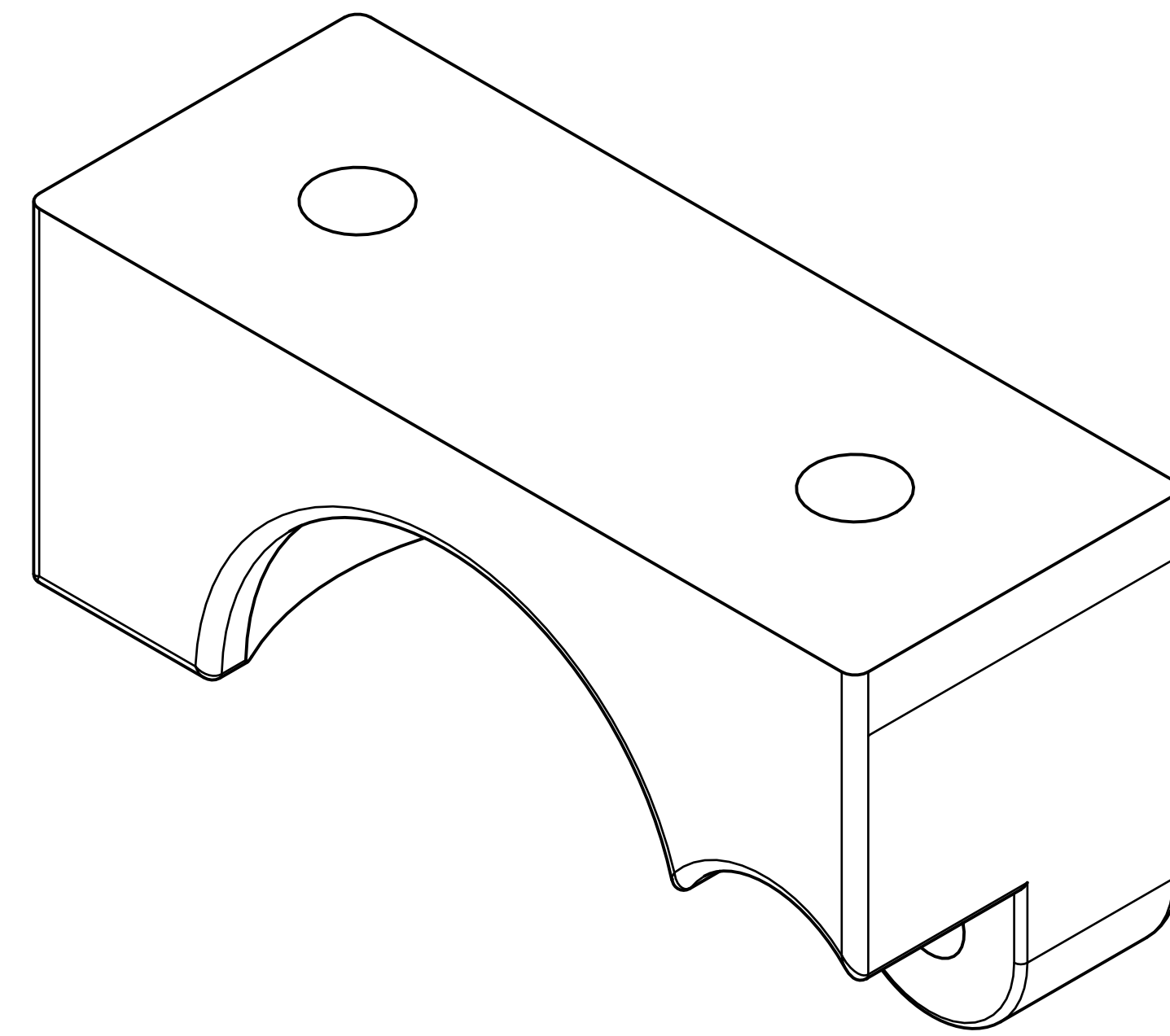
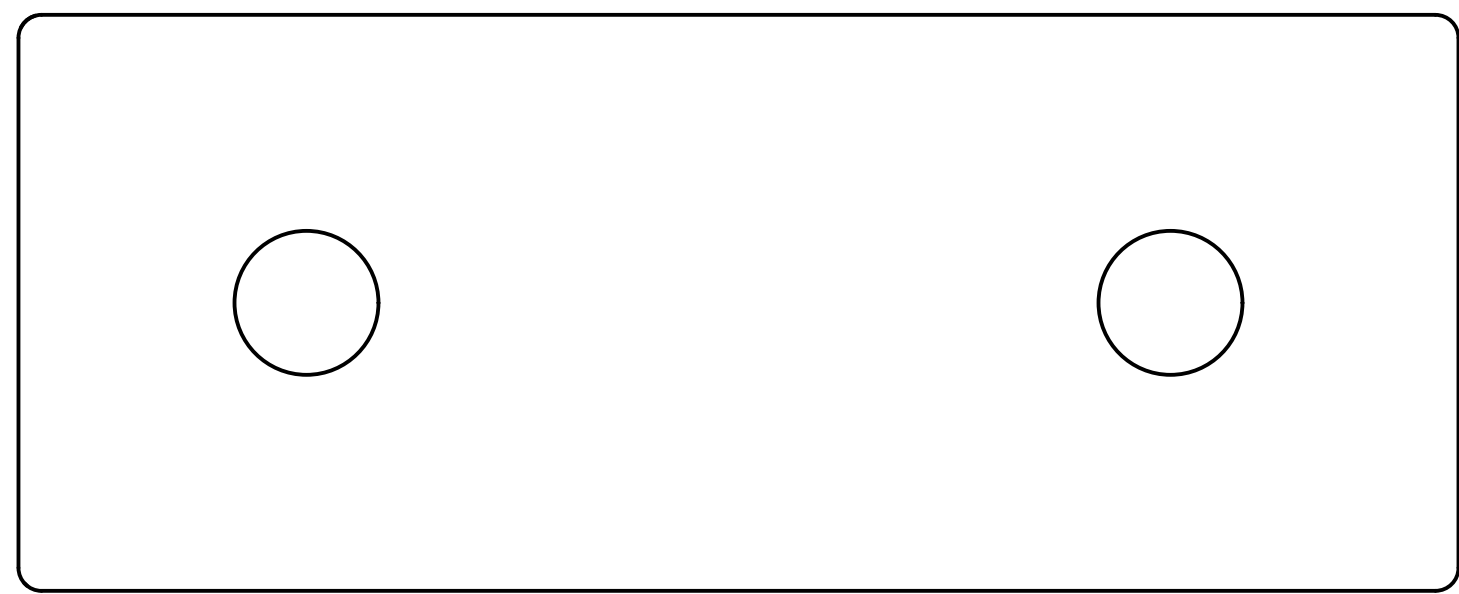
SECTION AC-AC
SCALE 1

QTY	CAGE CODE	PART NUMBER	DESCRIPTION	MATERIAL	SPECIFICATION	FRAC CRT	TRACE CODE	RES DES	ITEM	FLAG NOTES
2		1046-010-0054	SHOULDER BOLT	STAINLESS STEEL					7	
2			THUMB SCREW	STAINLESS STEEL					6	
6		KLI-71302	LOCKING THREADED INSERT	STAINLESS STEEL 303					5	
4			CLAMP SEMI-SPHERE	ULTEM					4	
1			CLAMP ARM, RIGHT	Ultem					3	
1			CLAMP ARM, LEFT	ULTEM					2	
1			CLAMP BODY	ULTEM					1	
			DOUBLE BALL CLAMP							
			GALLEY TABLE							

UNLESS NOTED OTHERWISE DIM ARE IN INCHES TOL ARE: 0 ± .1 000 ± .005 .00 ± .02 ANGULAR ±.05		SIGNATURES	DATE	NATIONAL AERONAUTICS AND SPACE ADMINISTRATION LYNDON B. JOHNSON SPACE CENTER HOUSTON, TEXAS	
SURFACE FINISH IN MICRONS UNLESS NOTED OTHERWISE		DR		DOUBLE BALL CLAMP	
NEXT ASSY		ENG			
DWG FILENAME Foot Restraint Mkl.idw		CH		PROJECT EVA TOOLS	
DRAWING TYPE		APP		SIZE CAGE CODE DWG NO	
		QE		SCALE 2.5 ORG OZ FM TA02MAY04 SHEET 1 OF 6	
		MATL		REV	
		STRESS			
		AUTH			



SIZE D	CAGE CODE	DWG NO	REV
SCALE	ORG OZ	FMT P02MAY04	SHEET 2 OF 6



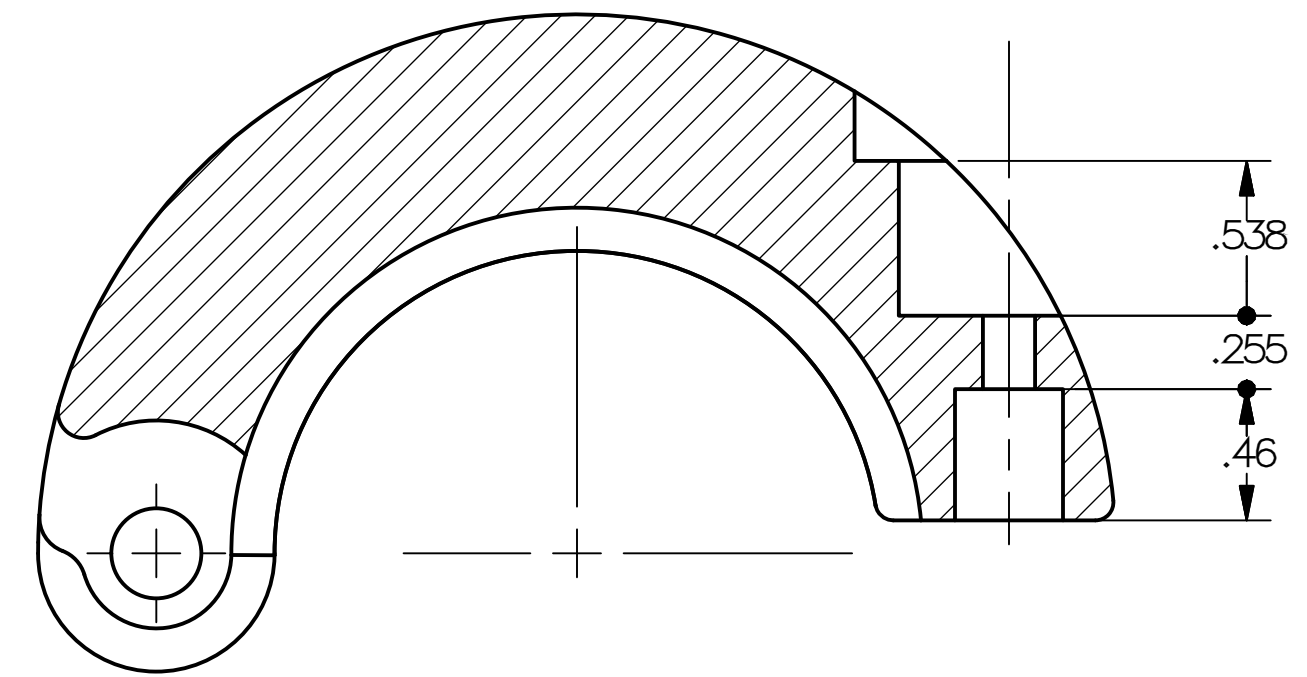
SECTION AD-AD
SCALE 2

SIZE D	CAGE CODE	DWG NO	REV
SCALE	ORG OZ	FMT P02MAY04	SHEET 3 OF 6

8 7 6 5 4 3 2 1

D

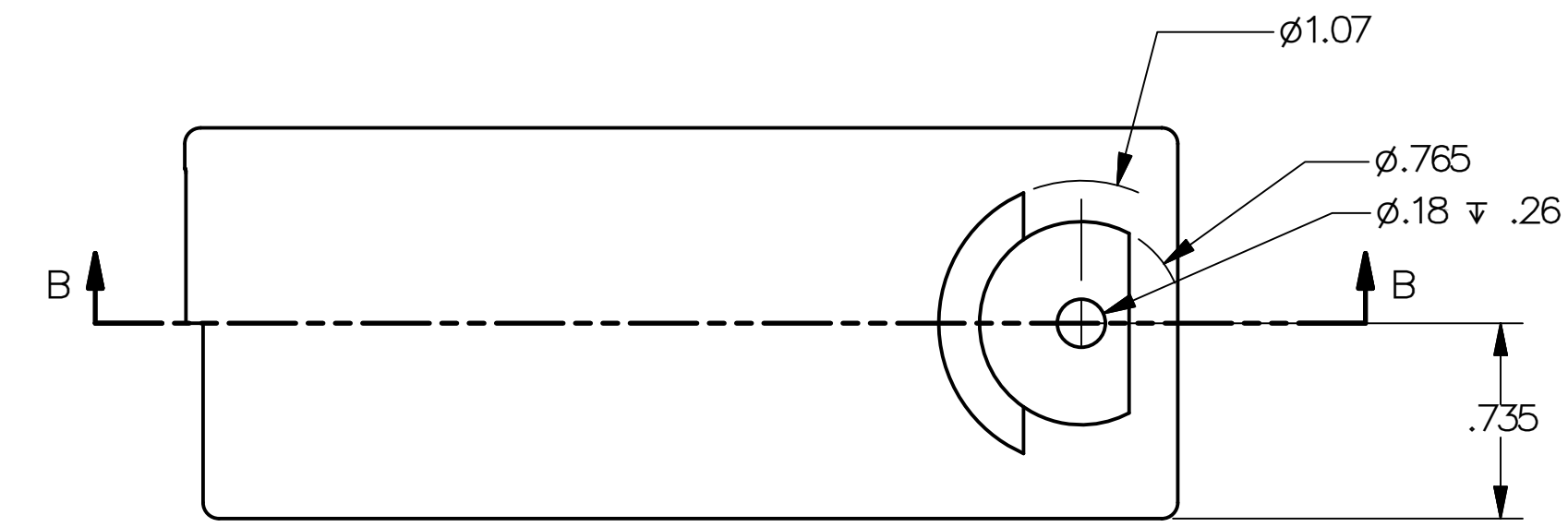
D



SECTION B-B
SCALE 1.5

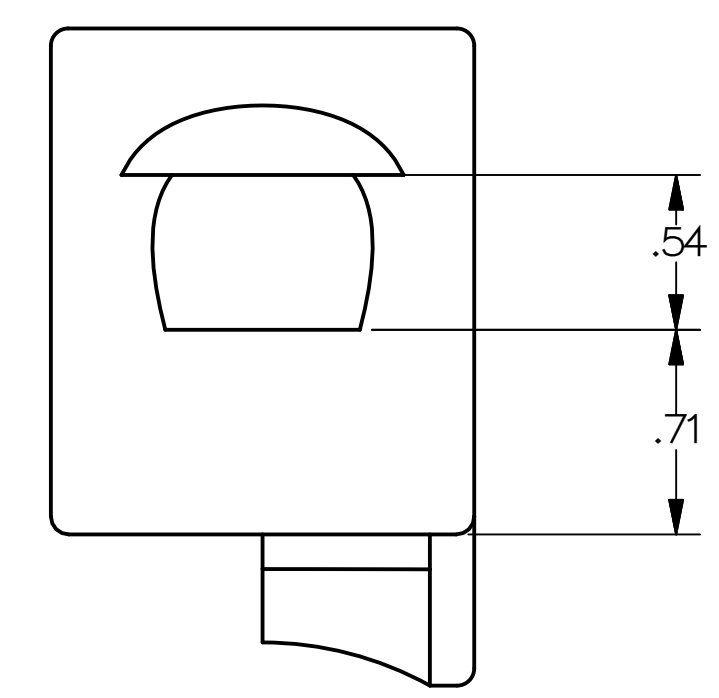
C

C



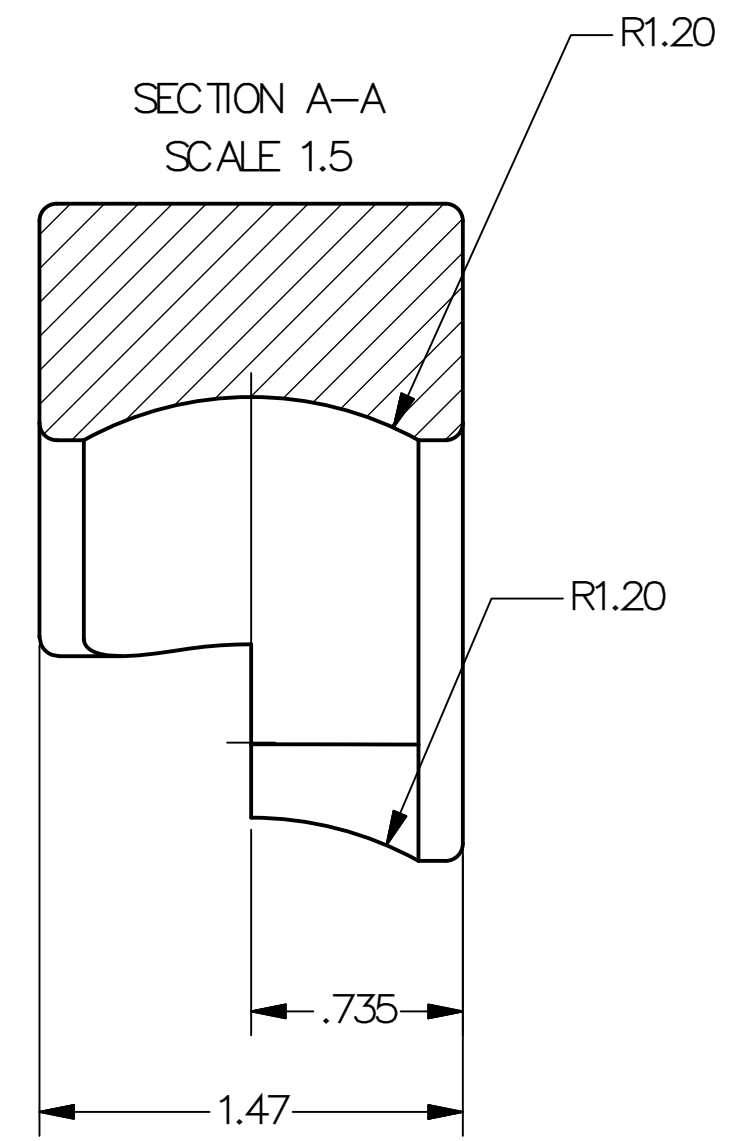
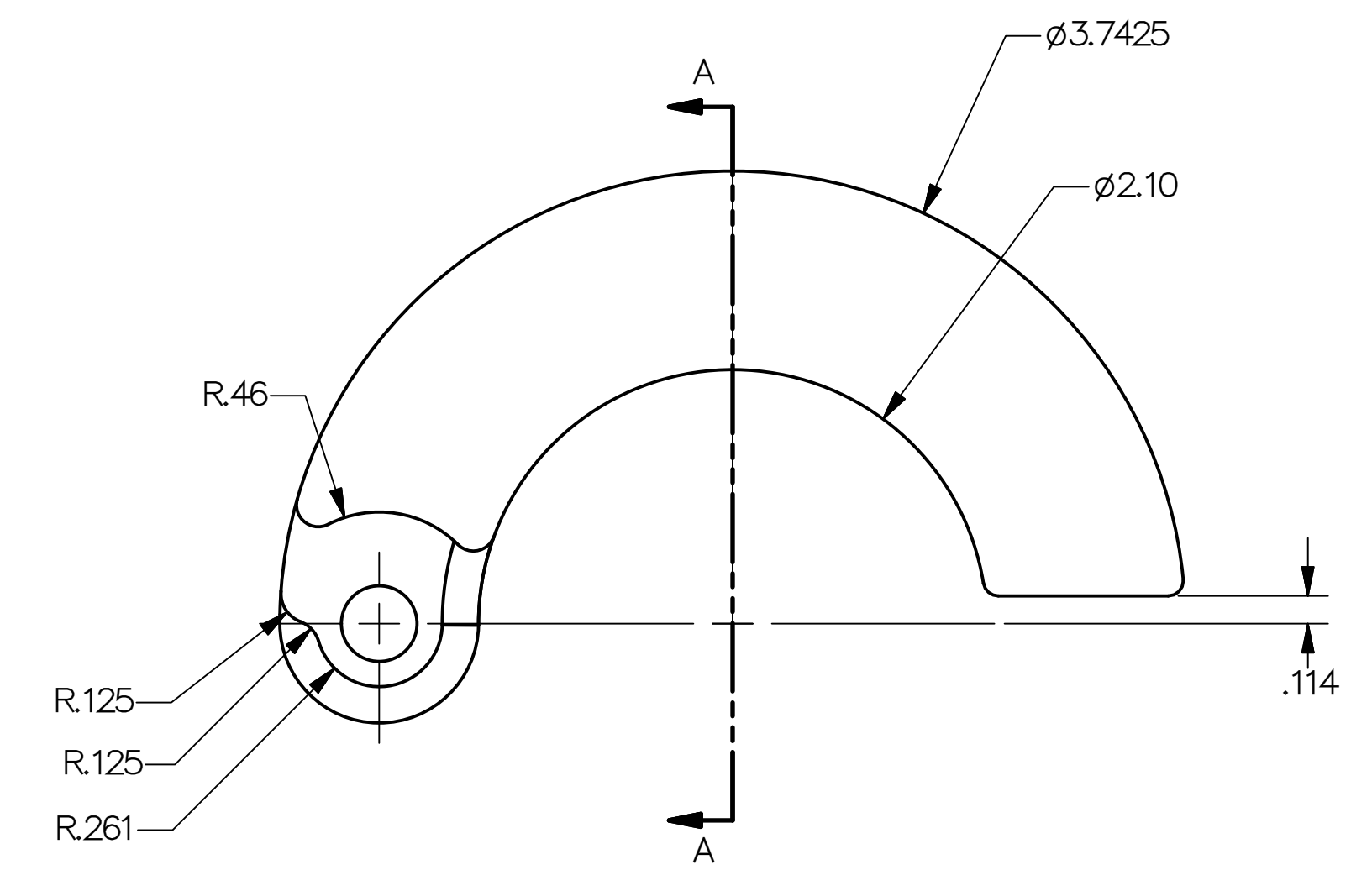
B

B



B

B



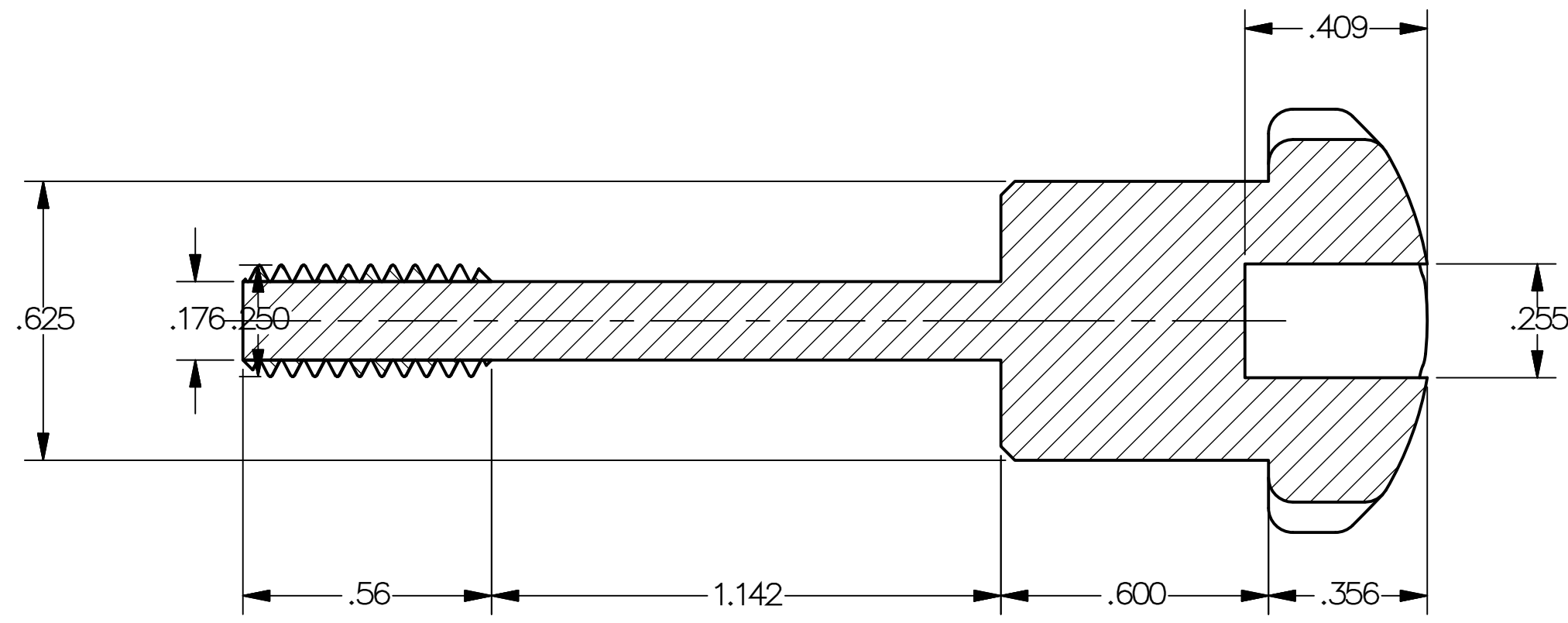
All Filets are R.09 unless specified otherwise

A

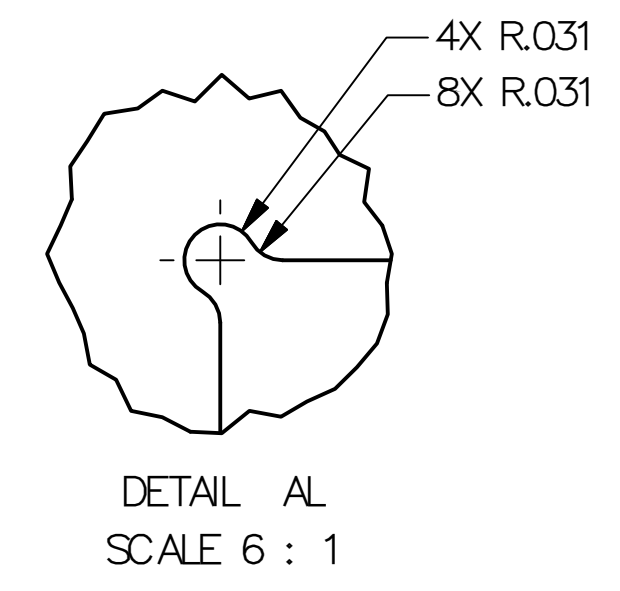
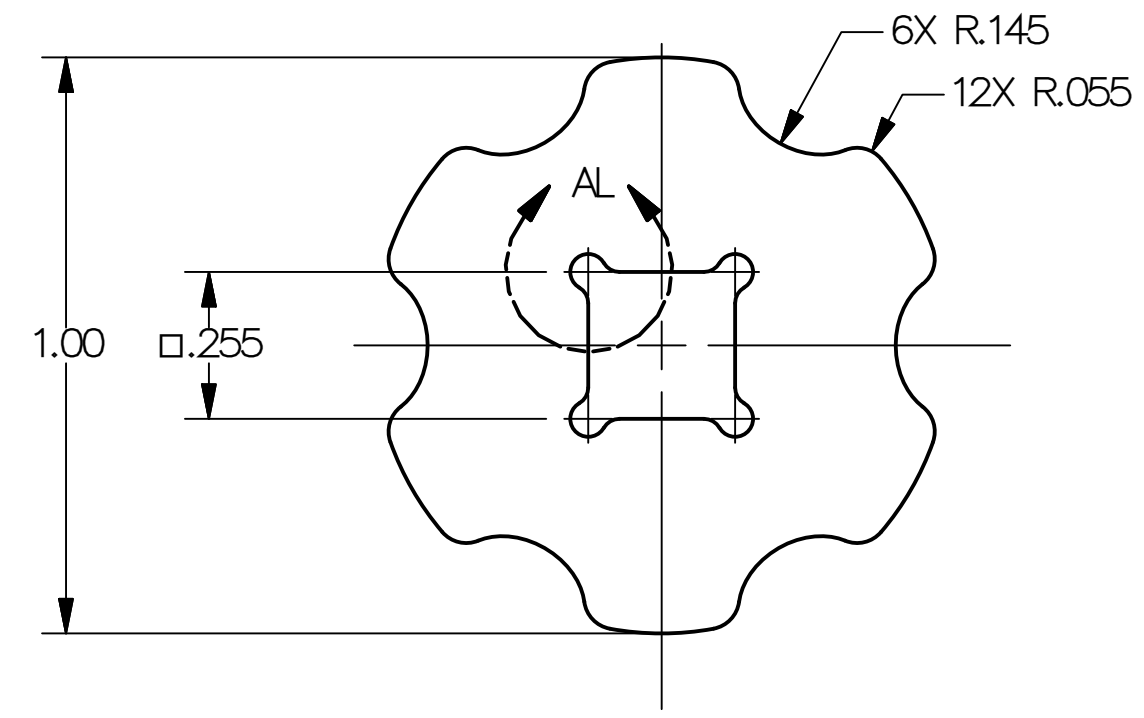
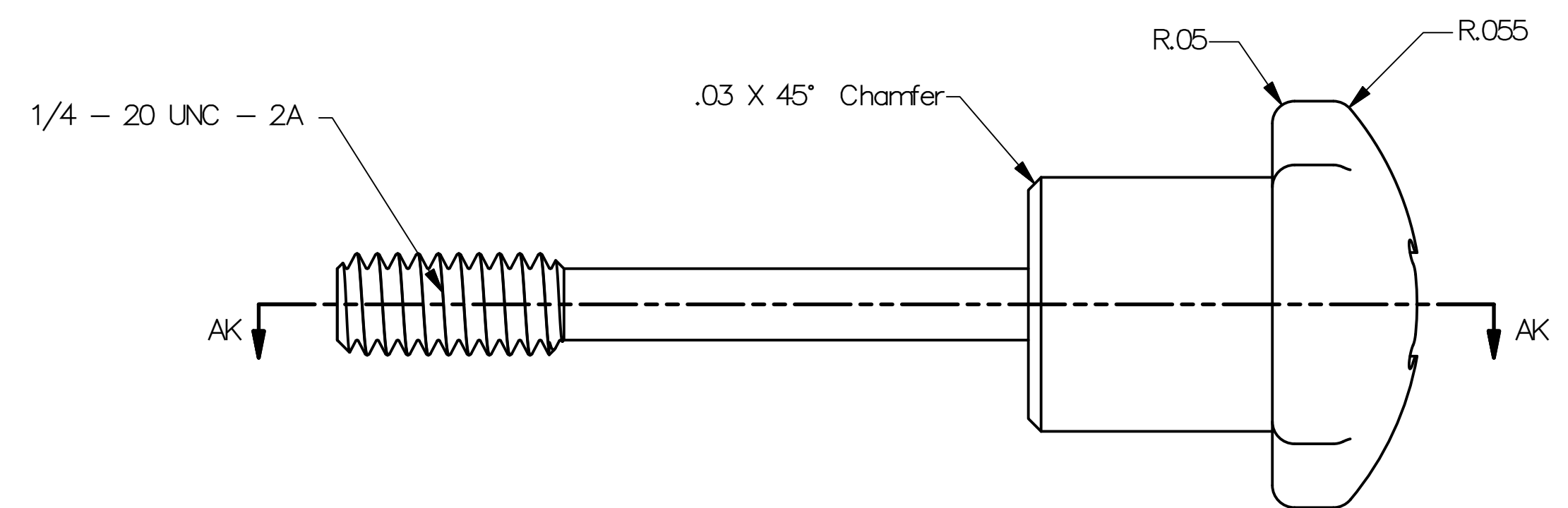
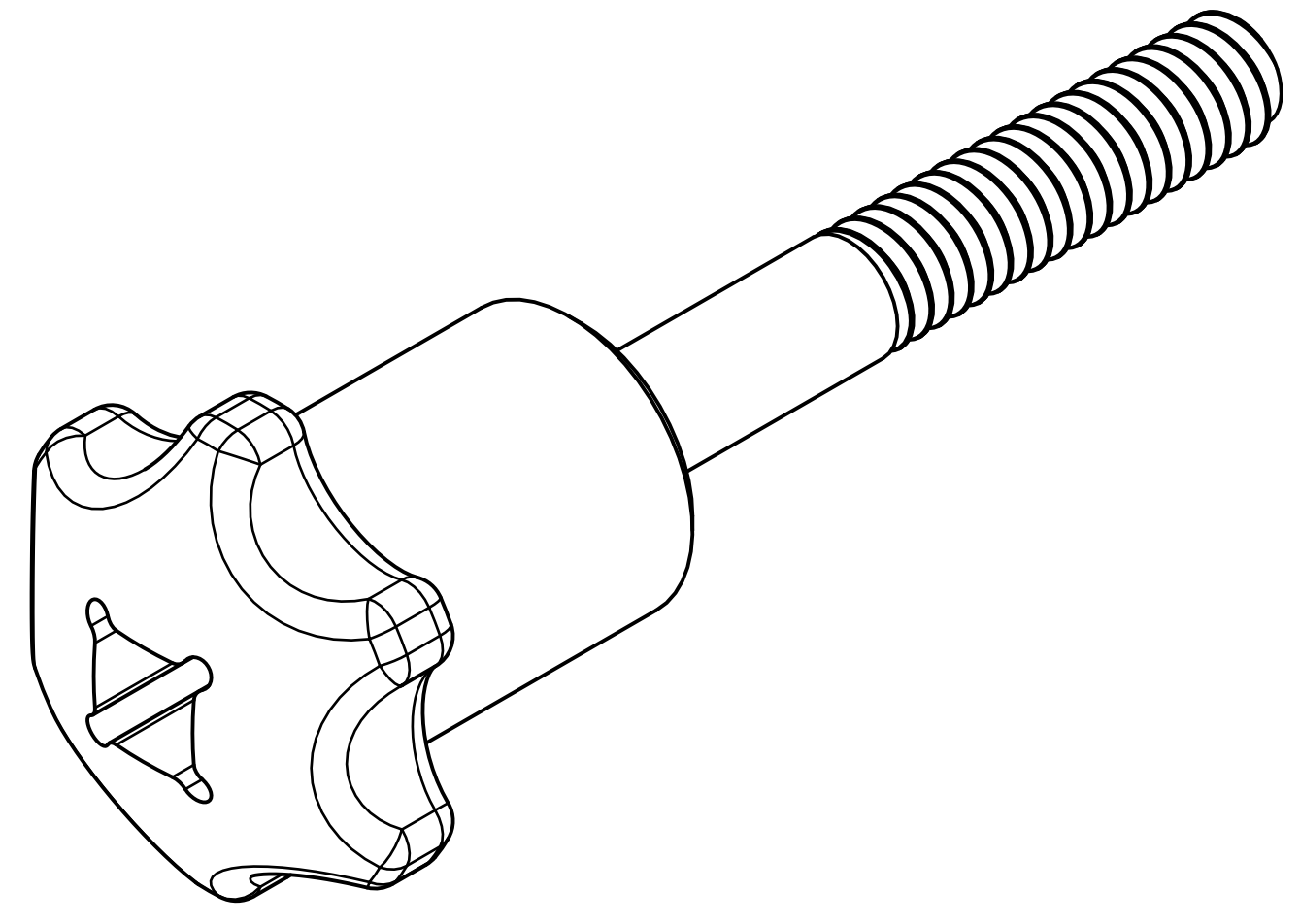
A

8 7 6 5 4 3 2 1

SIZE D	CAGE CODE	DWG NO	REV
SCALE	ORG OZ	FMT P02MAY04	SHEET 4 OF 6

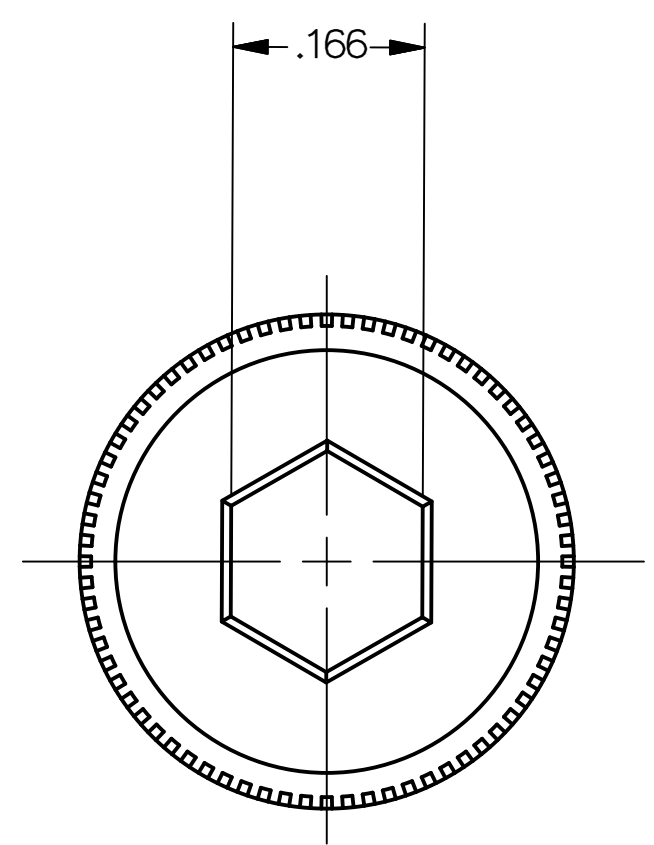
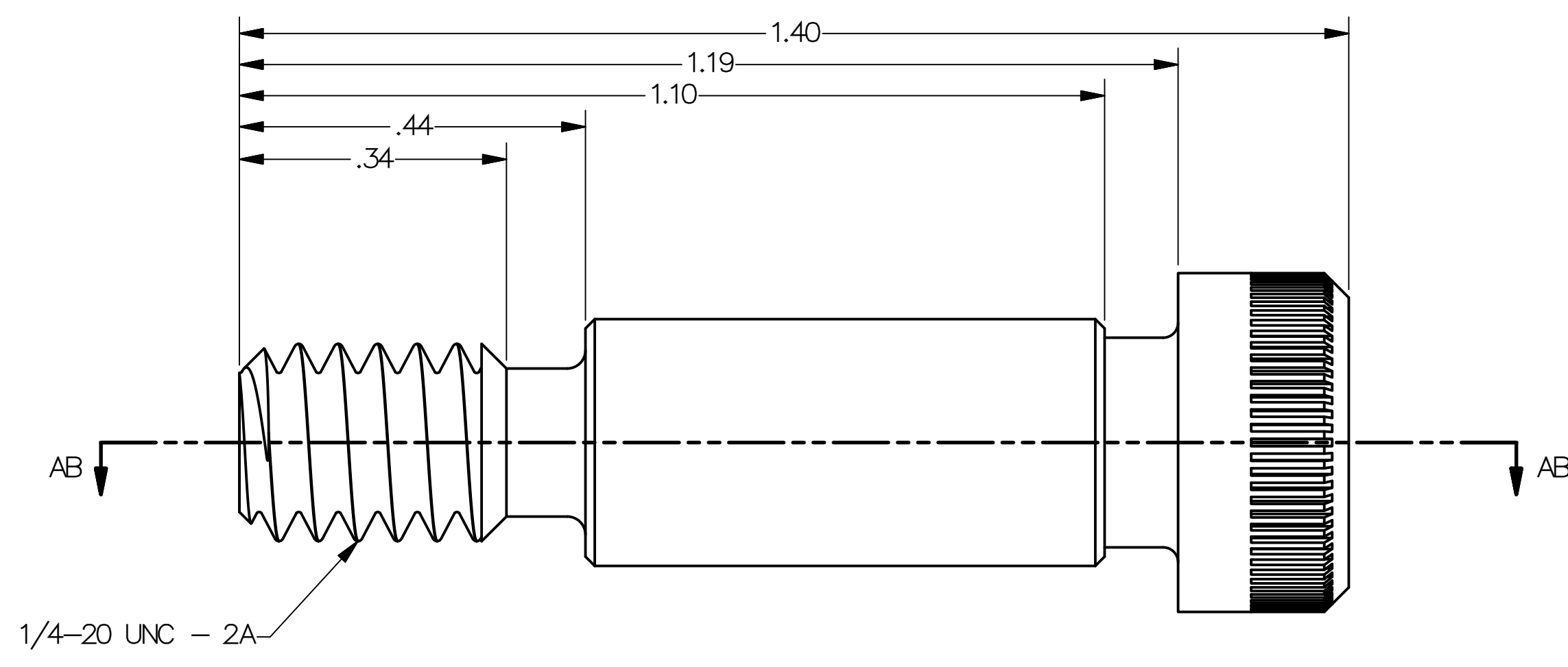
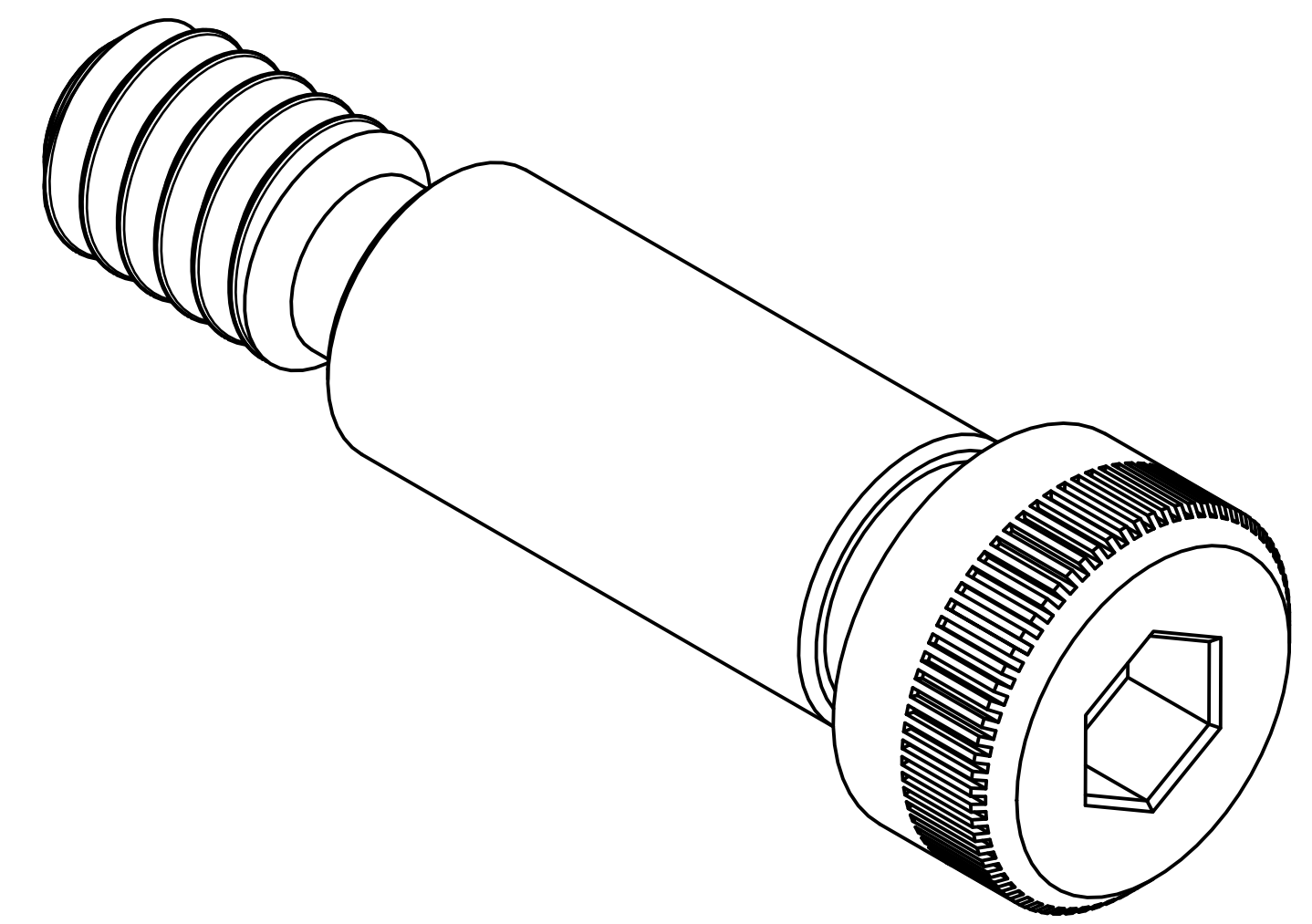
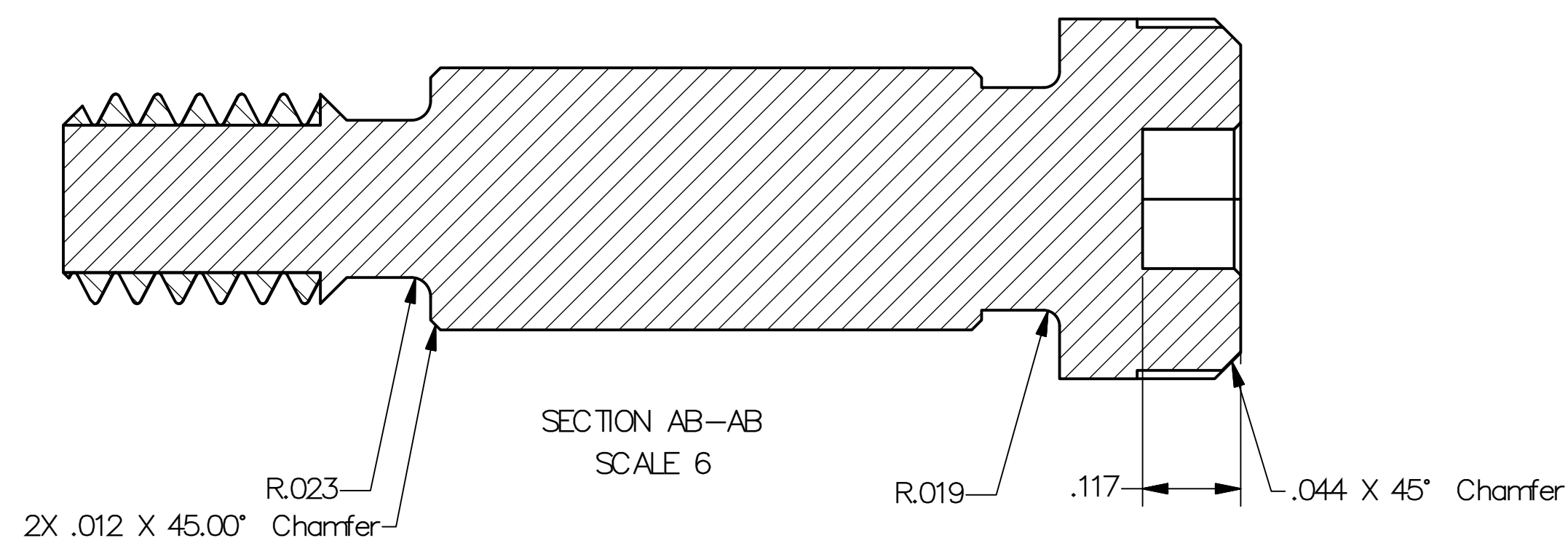


SECTION AK-AK
SCALE 3 : 1



DETAIL AL
SCALE 6 : 1

SIZE D	CAGE CODE	DWG NO	REV
SCALE	ORG OZ	FMT P02MAY04	SHEET 5 OF 6



SIZE D	CAGE CODE	DWG NO	REV
SCALE	ORG OZ	FMT P02MAY04	SHEET 6 OF 6